



World Health  
Organization



Module IV  
Marking and Labelling Packages  
of Infectious Substances

August 2011

## Overview

---

- ☣ Improper markings and labels
- ☣ Package markings and labels
- ☣ Marking and labelling Category A packages
- ☣ Marking and labelling Category B packages
- ☣ Marking and labelling Exempt Human/Animal Specimen packages
- ☣ Package marking and labelling exercise



World Health  
Organization



**World Health  
Organization**

What happens if a package is marked or  
labelled improperly?

# Improper Marking and Labelling

---

- ⚠ Package **should not** be accepted (by carrier)
- ⚠ Courier refusal
- ⚠ Package may be returned to shipper
- ⚠ Package may be delayed
- ⚠ Package may be destroyed
- ⚠ Customs retention



World Health  
Organization



**World Health  
Organization**

# Markings and Labels



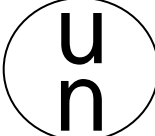

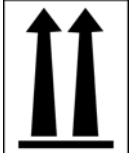


# Markings and Labels

## Markings

- Shipper's name and address
- Receiver's name and address
- Name and tel. of responsible person
- UN Specification Marking
- UN 3373
- Proper Shipping Name
- UN Number
- Orientation arrows

## Labels (hazard and handling)

- Infectious substance label
- Cargo aircraft only label

MARKINGS	
<b>SHIPPER</b> PINCO PALLINO TIMELY LOGISTICS BP 102 ERAGNY/OISE F-95613 CERGY PONTOISE	<b>RECEIVER</b> AB NORMAL LAB PASTEUR CERBA RUE DE L'EQUERRE F-44567 FORT DE FRANCE
EMERGENCY CONTACT 24H/24H Dr RED PEPPER: +67 56 45 34 23	
	<b>4G/CLASS 6.2/02</b> <b>F/BVT 312103</b>
	<div style="border: 1px solid black; padding: 5px;">             INFECTIOUS SUBSTANCE,              AFFECTING HUMANS               UN2814           </div>
	
LABELS	
	



**World Health  
Organization**

# Marking and Labelling Category A Packages

# Category A Markings and Labels

---

## Markings

- Shipper's name and address
- Receiver's name and address
- Name and telephone of responsible person (who is available 24 hours a day until shipment arrives)
- Proper Shipping Name
- UN Number
- UN Specification Marking
- Orientation arrows (mandatory only when primary container exceeds 50ml)

## Labels (hazard and handling)

- Infectious substance label
- Cargo Aircraft Only (when the package may only be transported on a cargo aircraft)

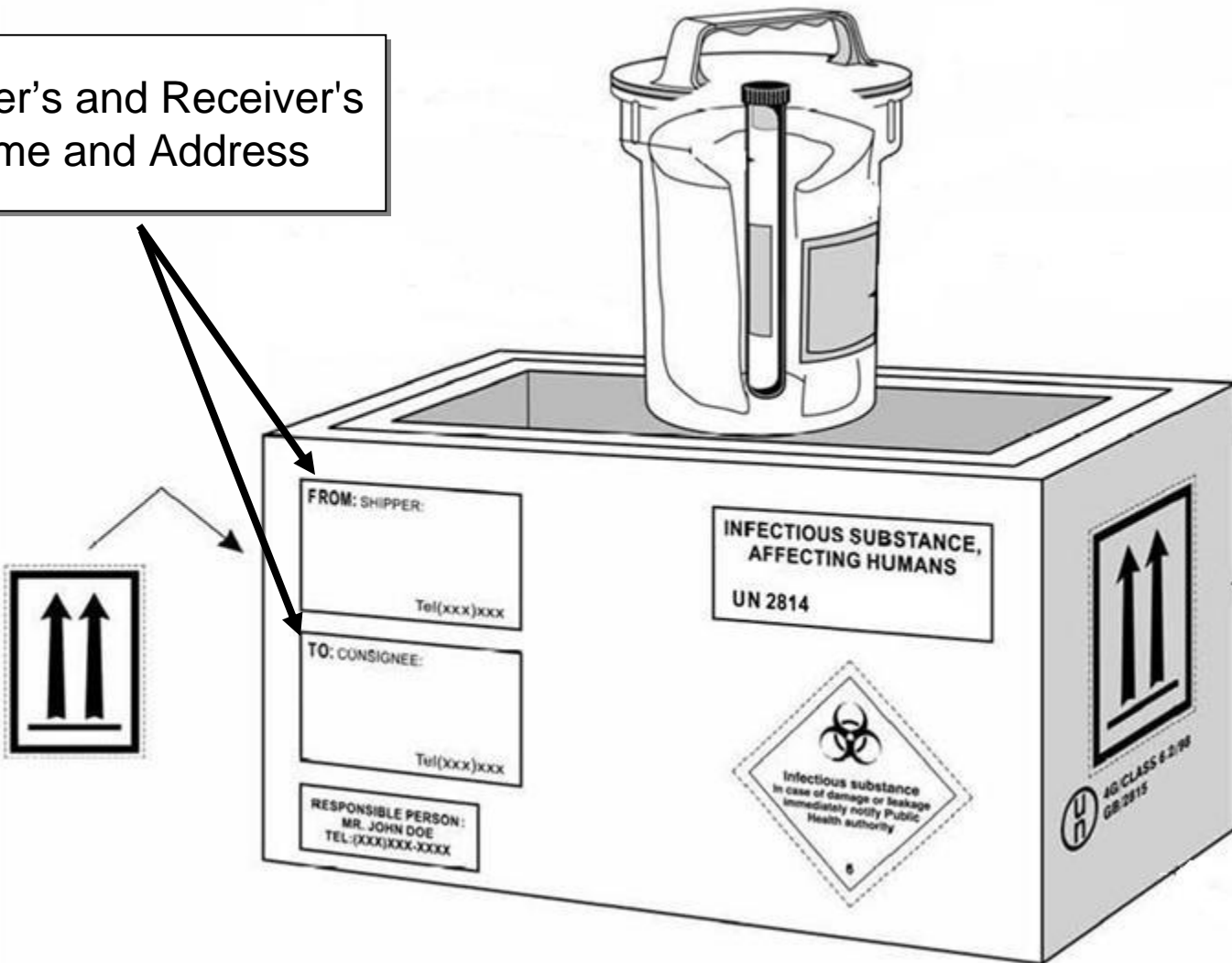




World Health Organization

# Category A Markings and Labels

Shipper's and Receiver's Name and Address

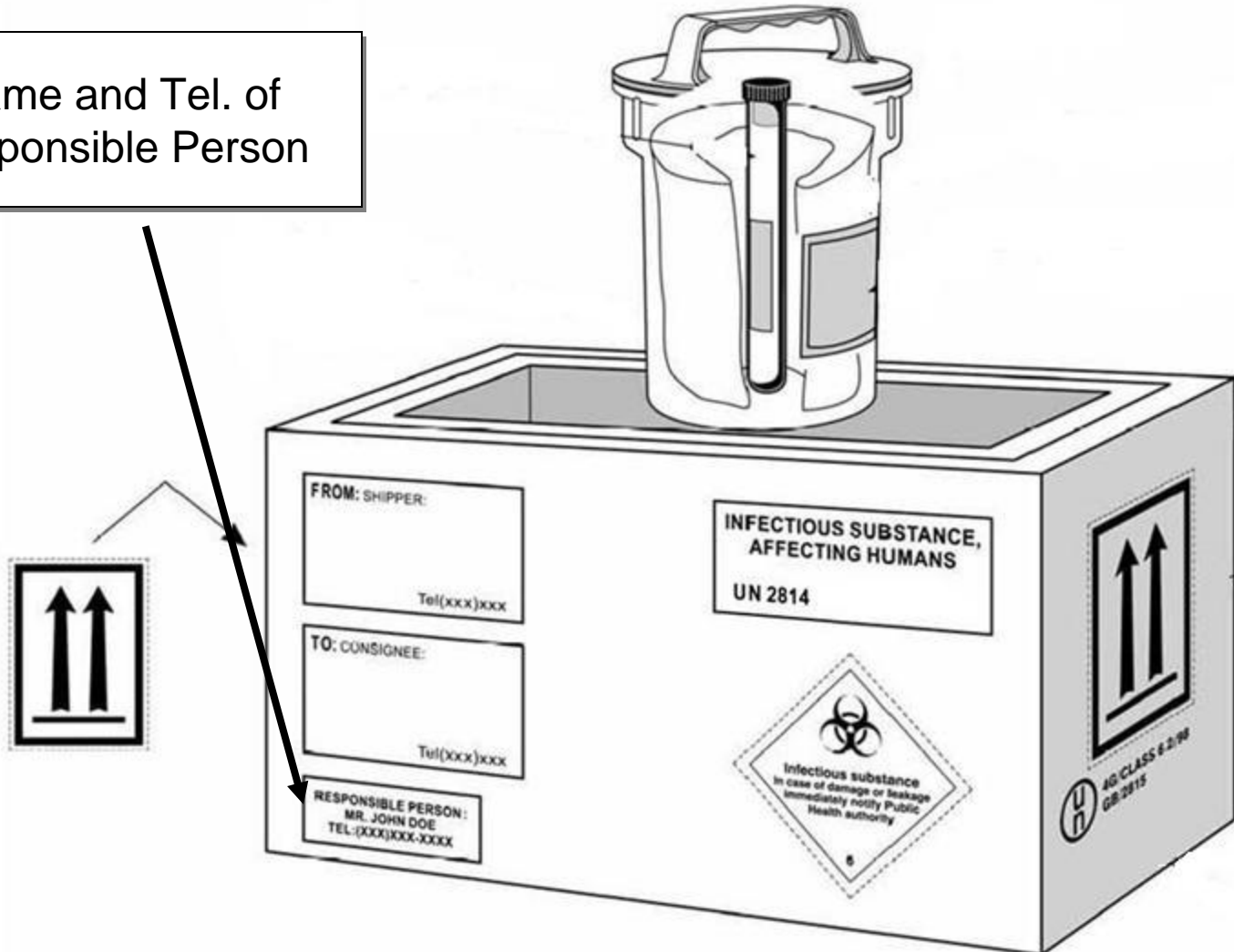




World Health  
Organization

# Category A Markings and Labels

Name and Tel. of  
Responsible Person

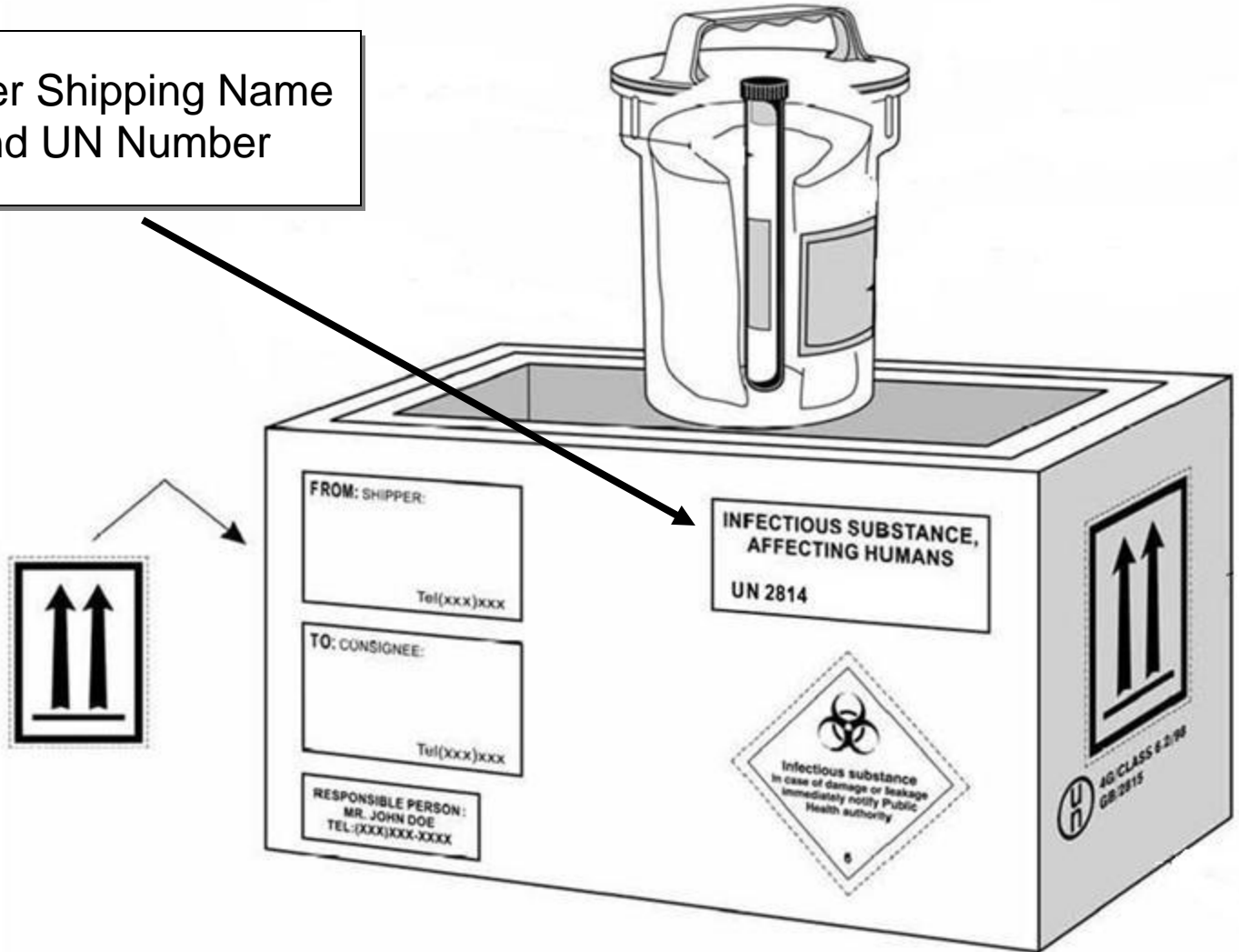




World Health Organization

# Category A Markings and Labels

Proper Shipping Name and UN Number

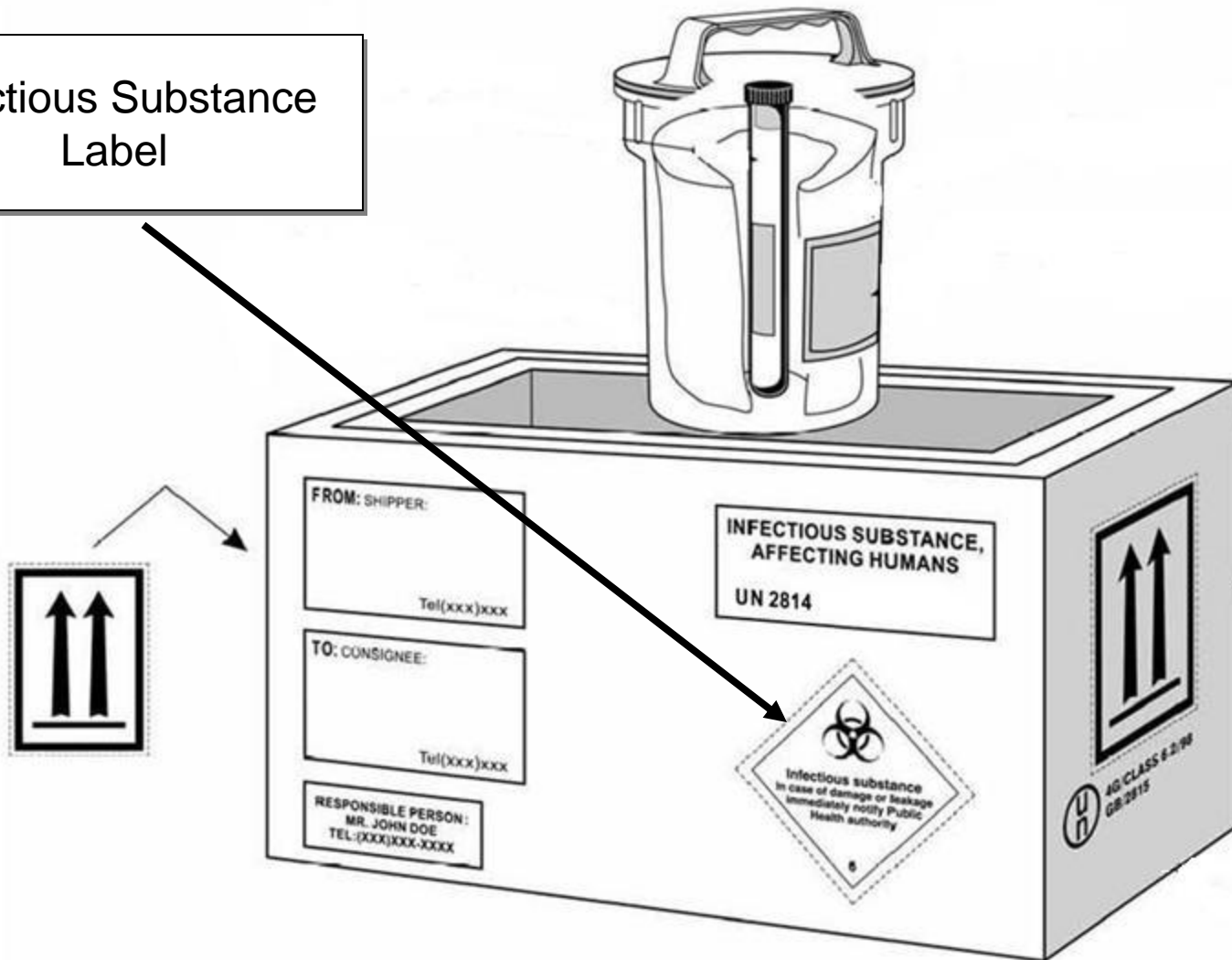




World Health Organization

# Category A Markings and Labels

Infectious Substance Label

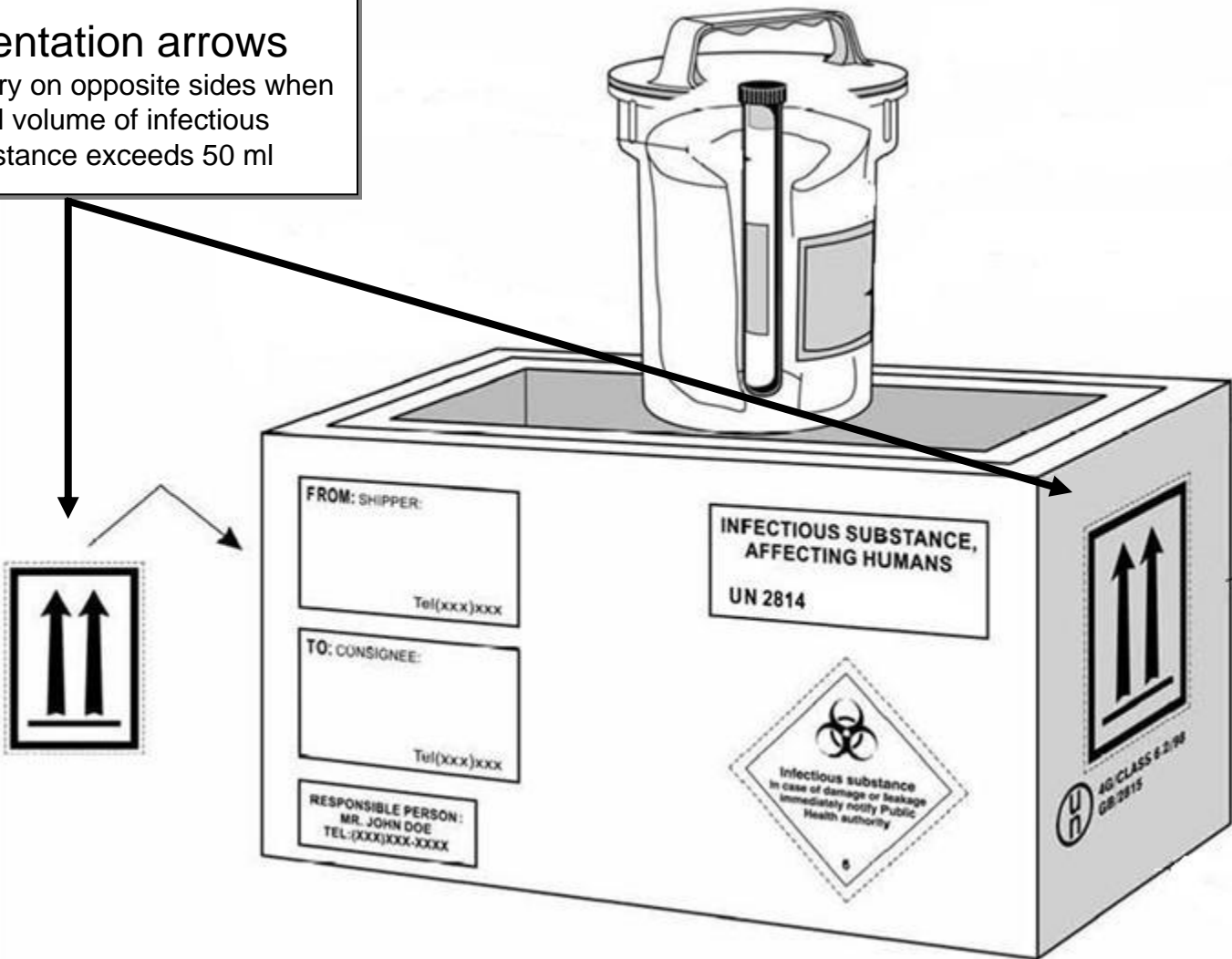




World Health Organization

# Category A Markings and Labels

**Orientation arrows**  
Mandatory on opposite sides when total volume of infectious substance exceeds 50 ml

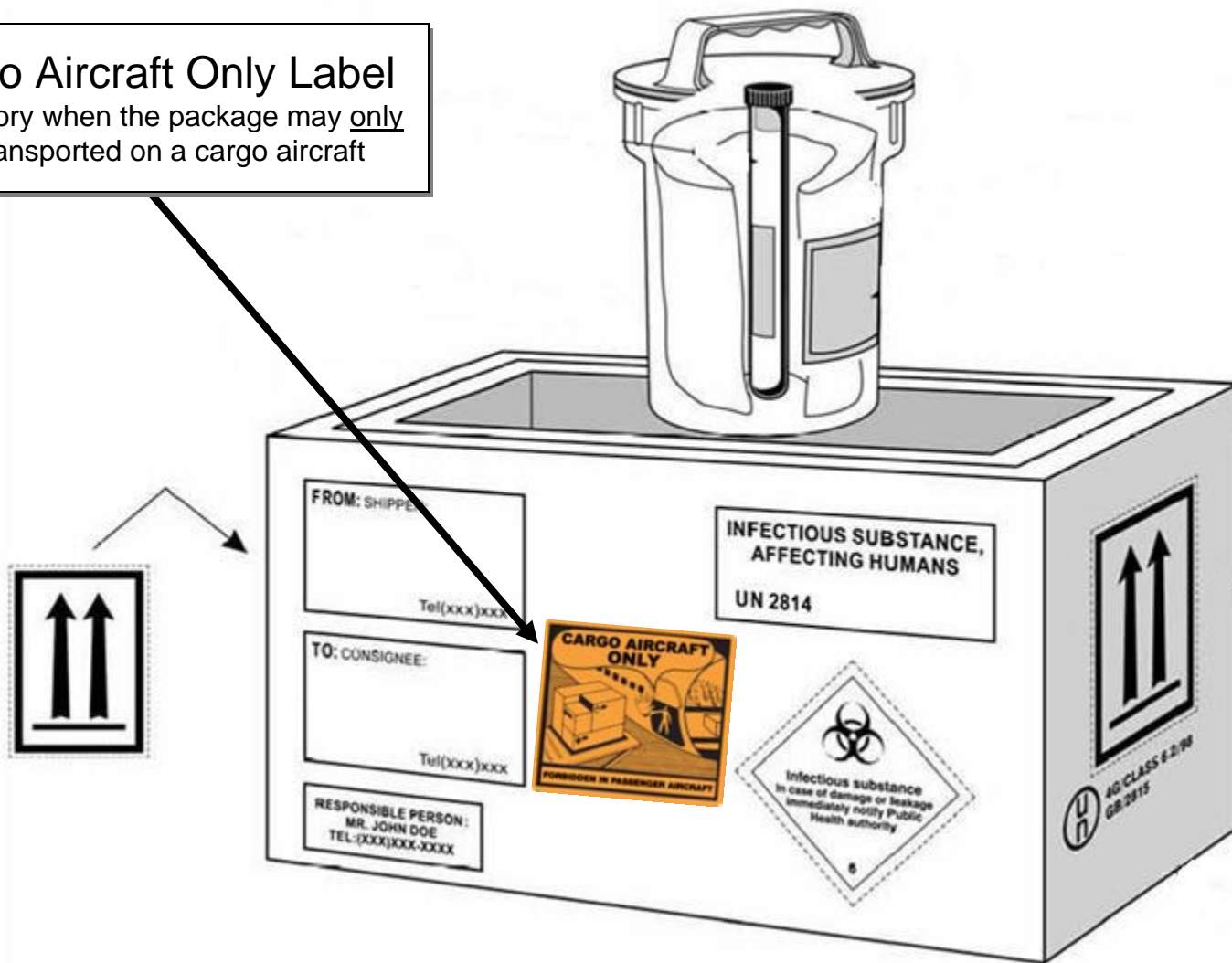




World Health Organization

# Category A Markings and Labels

**Cargo Aircraft Only Label**  
Mandatory when the package may only be transported on a cargo aircraft

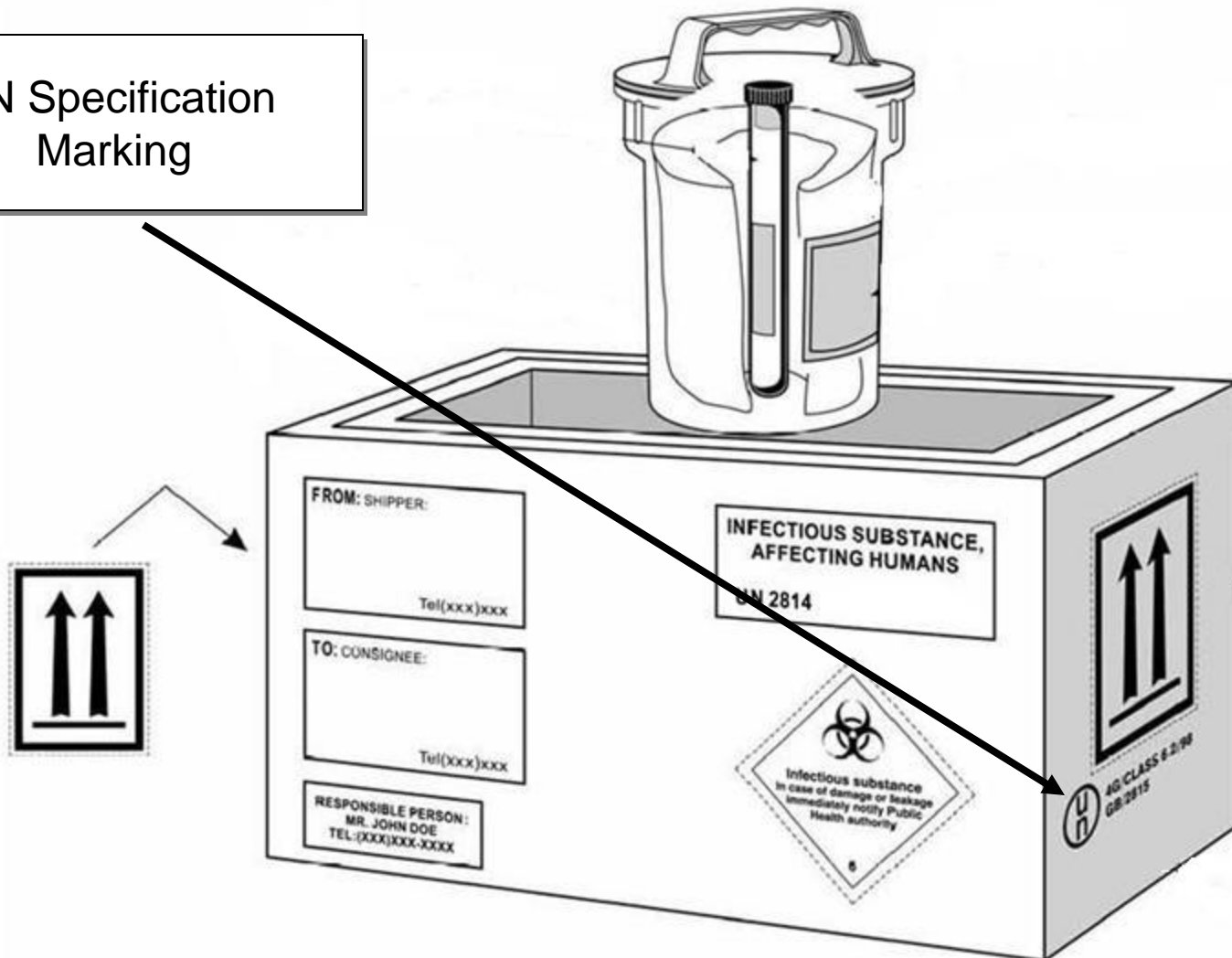




World Health Organization

# Category A Markings and Labels

UN Specification Marking





**World Health  
Organization**

# Marking and Labelling Category B Packages

# Category B Markings and Labels

---

## Markings

- Shipper's name and address
- Receiver's name and address
- Proper Shipping Name
- UN Number

## Labels (hazard and handling)

- None are required (unless shipping with dry ice)



World Health  
Organization

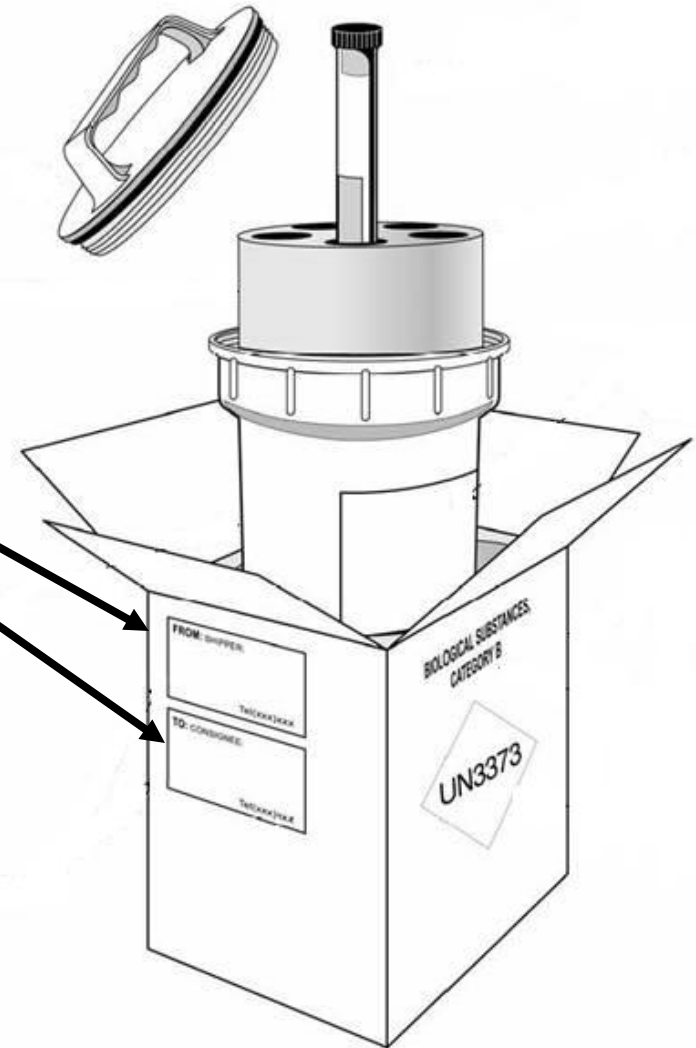




World Health  
Organization

## Category B Markings and Labels

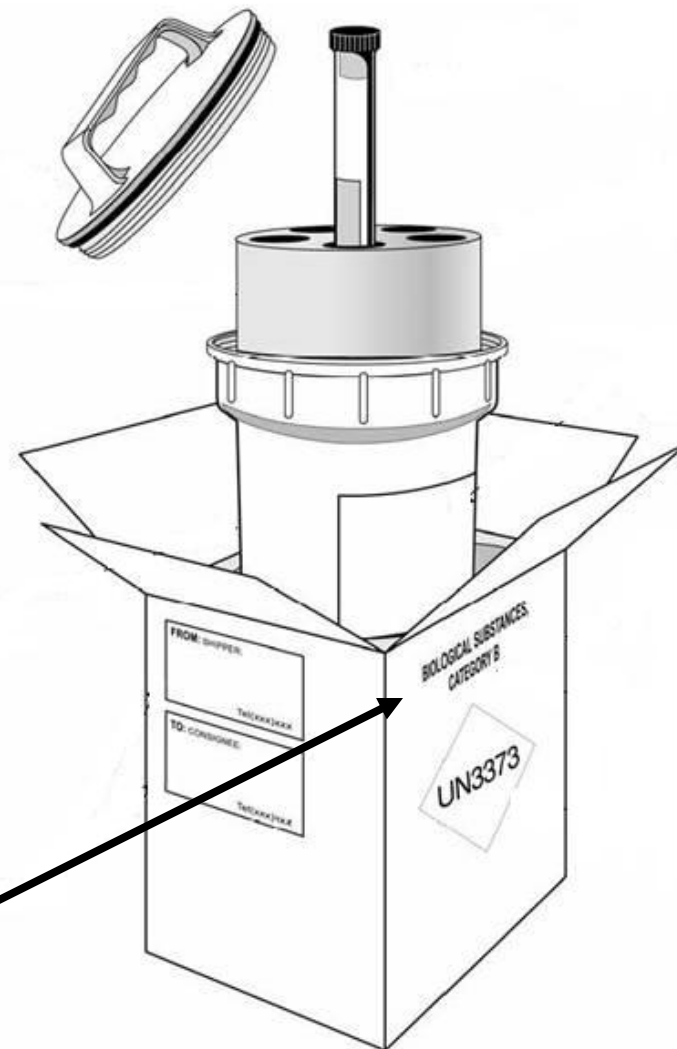
Shipper's and Receiver's  
Name and Address



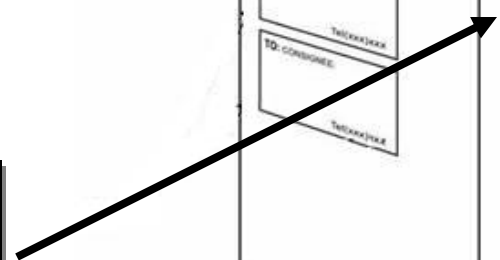


World Health  
Organization

## Category B Markings and Labels



Proper Shipping Name

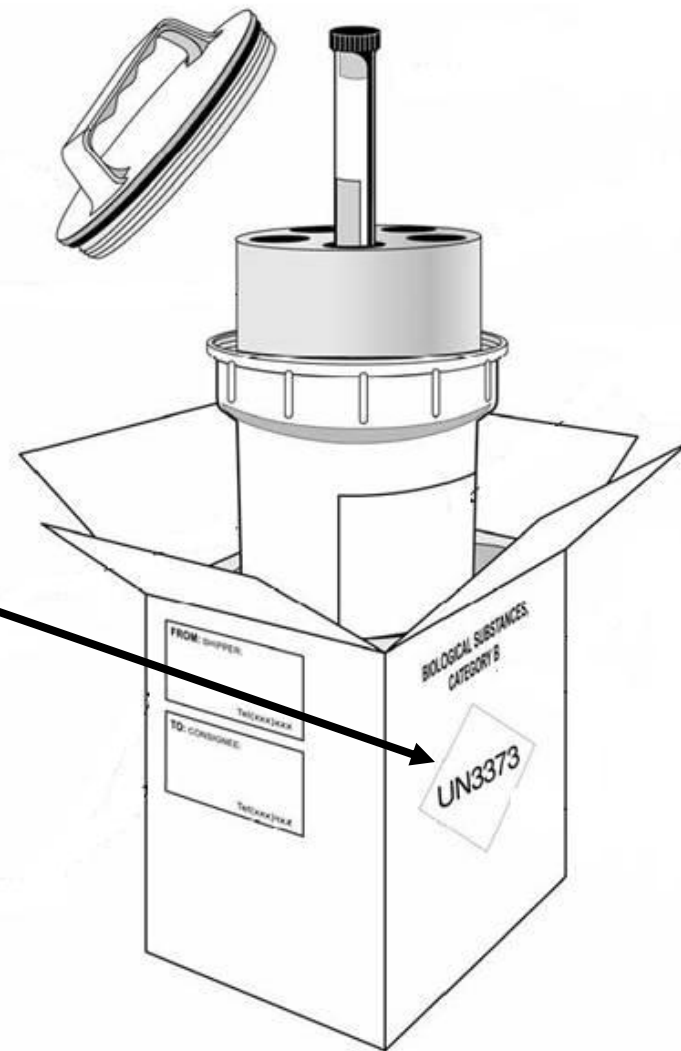




World Health  
Organization

## Category B Markings and Labels

UN Number Marking





**World Health  
Organization**

# Marking and Labelling Exempt Human/Animal Specimen Packages

# Exempt Human/Animal Specimens Markings and Labels

---

## Markings

- Shipper's name and address
- Receiver's name and address
- Proper shipping name

## Labels (hazard and handling)

- None are required (unless shipping with dry ice)



World Health  
Organization



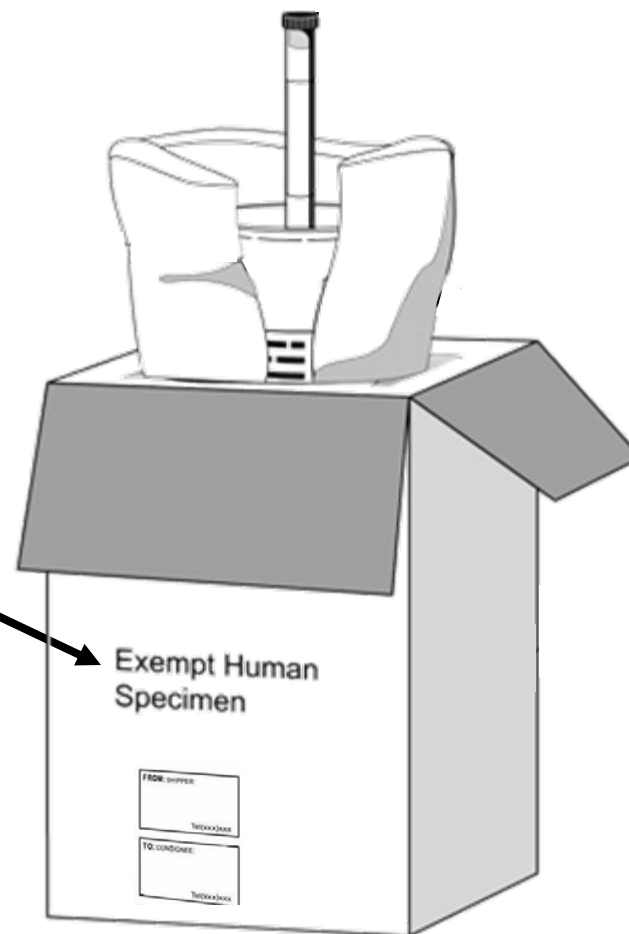


World Health  
Organization

# Exempt Human/Animal Specimens Markings and Labels

---

Proper Shipping Name



Exempt Human  
Specimen

FROM: SHIPPER

Tel:xxxxxx

TO: CONSIGNEE

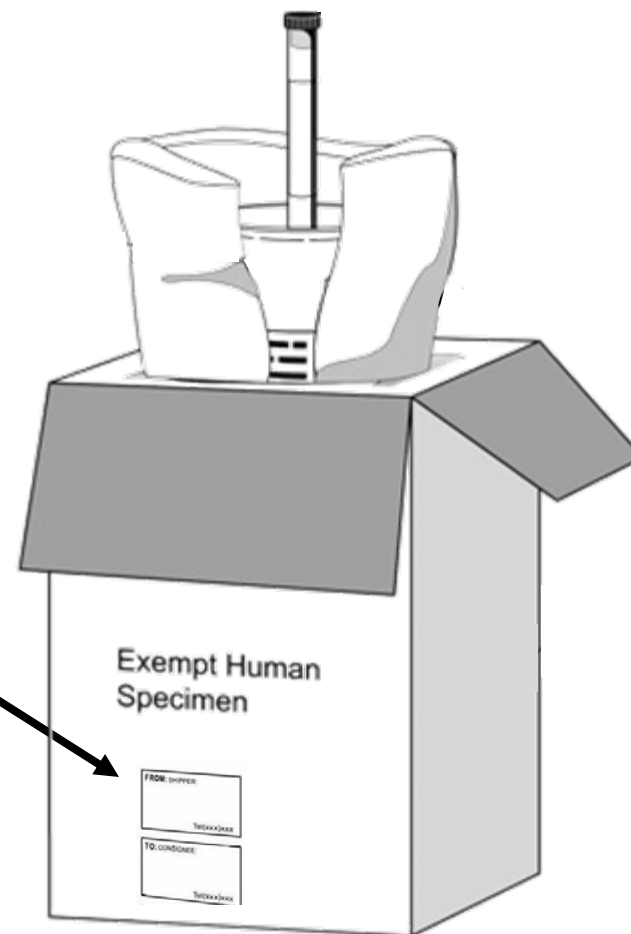
Tel:xxxxxx



World Health  
Organization

# Exempt Human/Animal Specimens Markings and Labels

Shipper's and Receiver's  
Name and Address





**World Health  
Organization**

# Marking and Labelling Overpacks

## Overpack Markings and Labels

---

- ☠ Dangerous goods regulations require that each package placed into an overpack be individually marked, labeled and addressed as if each were being shipped independently
- ☠ Each package must be fully compliant with the regulations before it can be placed in an overpack
- ☠ Once the package or packages are placed into the overpack, all marks and labels present on the single packages must be reproduced on the overpack, unless they are still visible through e.g the use of clear shrink-wrap

NOTE: Do not reproduce the UN specification marking on the overpack.

- ☠ If the overpack includes dry ice, its quantity has to be mentioned on the overpack.
- ☠ The word "Overpack" must also be marked on the overpack



# Overpack Markings and Labels

## Marques

- All marks or any other information present on the single packages
- No UN Specification Marking on the overpack!
- OVERPACK

## Labels (hazard and handling)

- All labels present on the single packages





World Health  
Organization

## Exercise IV

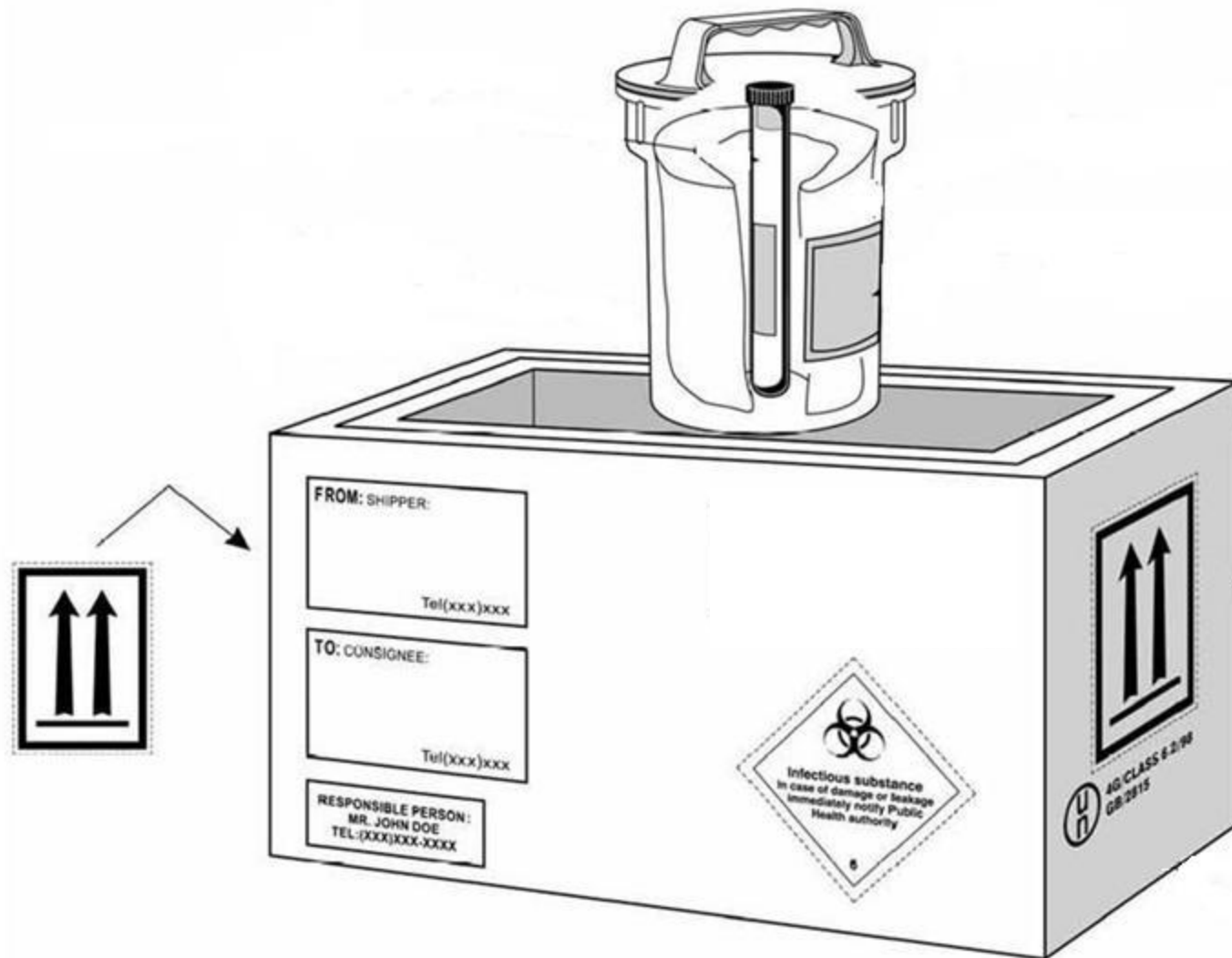
# Marking and Labelling Packages of Infectious Substances



**World Health  
Organization**

What is missing?

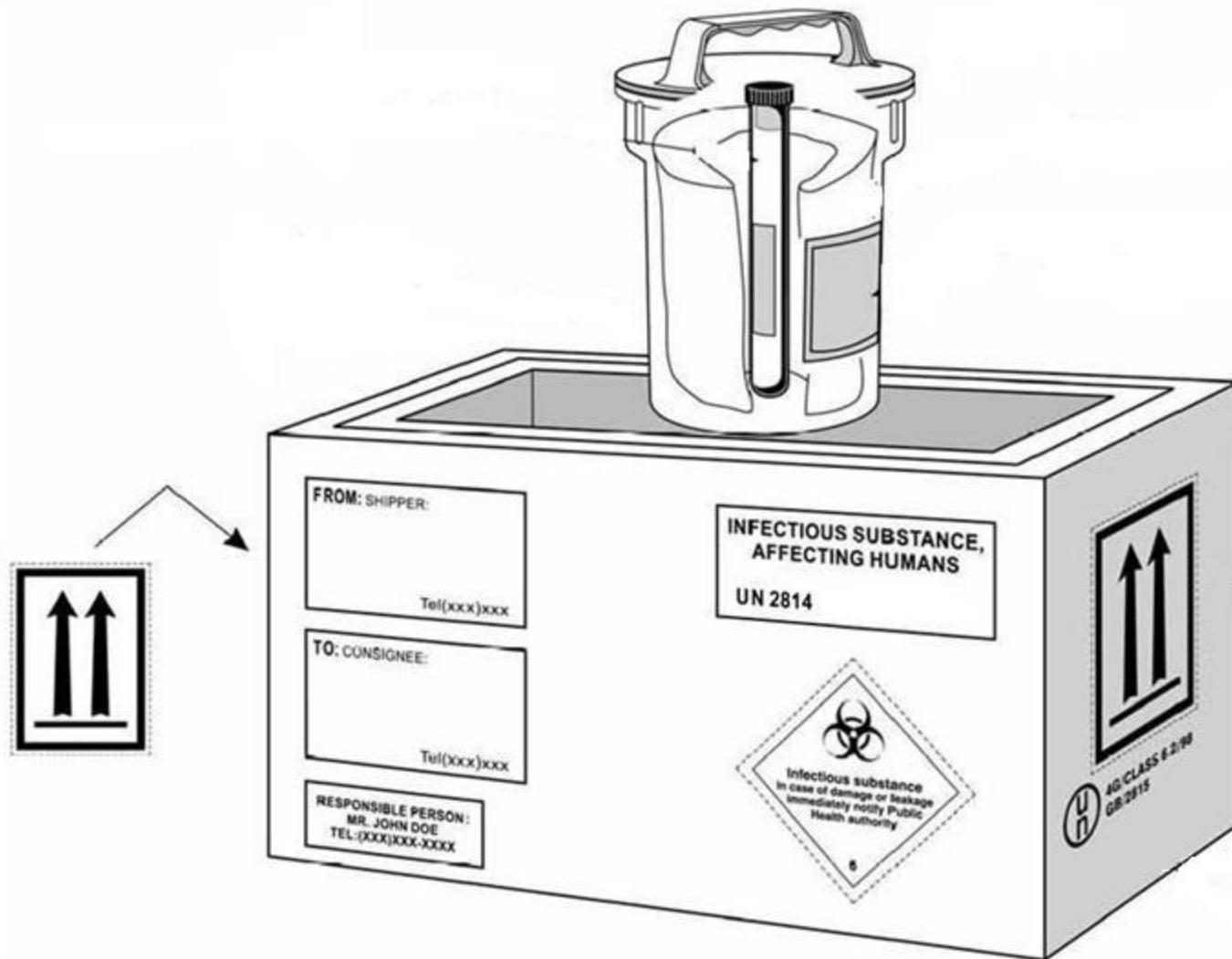
# Category A Markings and Labels



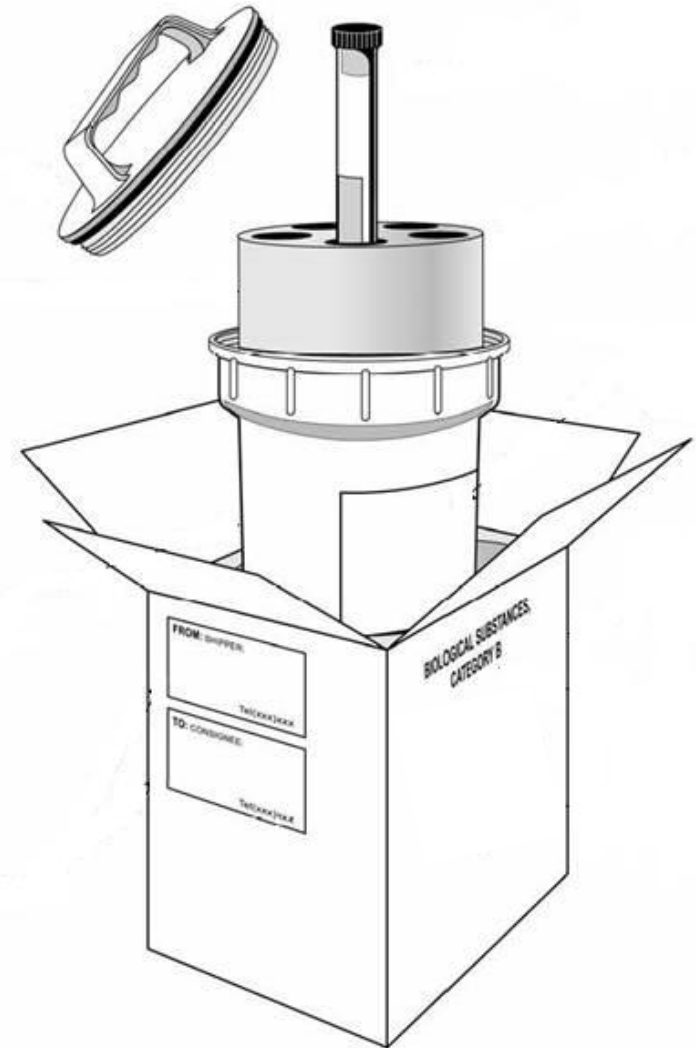


World Health  
Organization

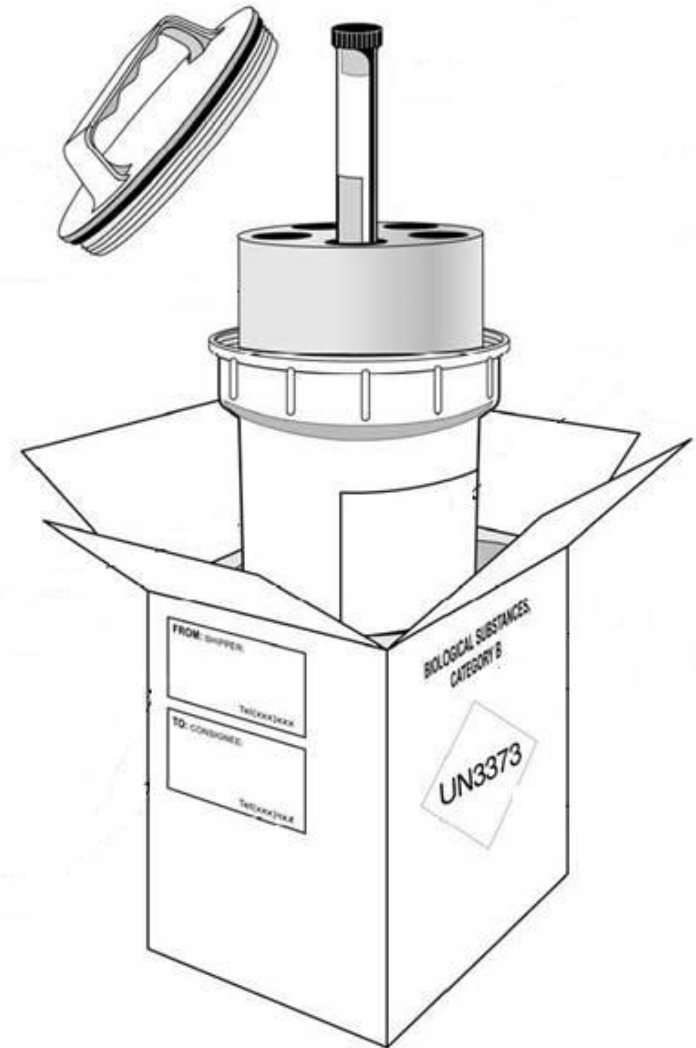
## Category A Markings and Labels



# Category B Markings and Labels



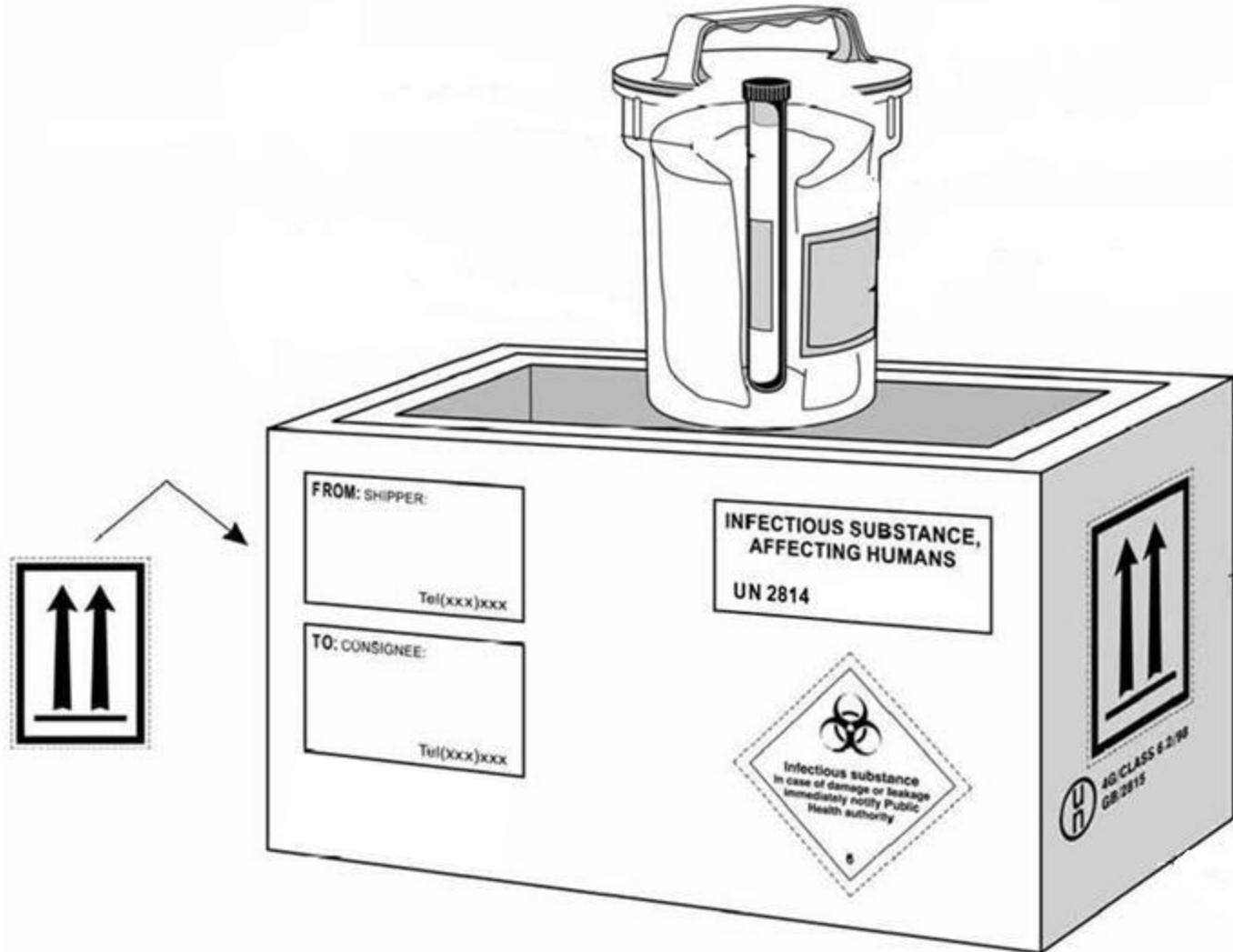
# Category B Markings and Labels





World Health  
Organization

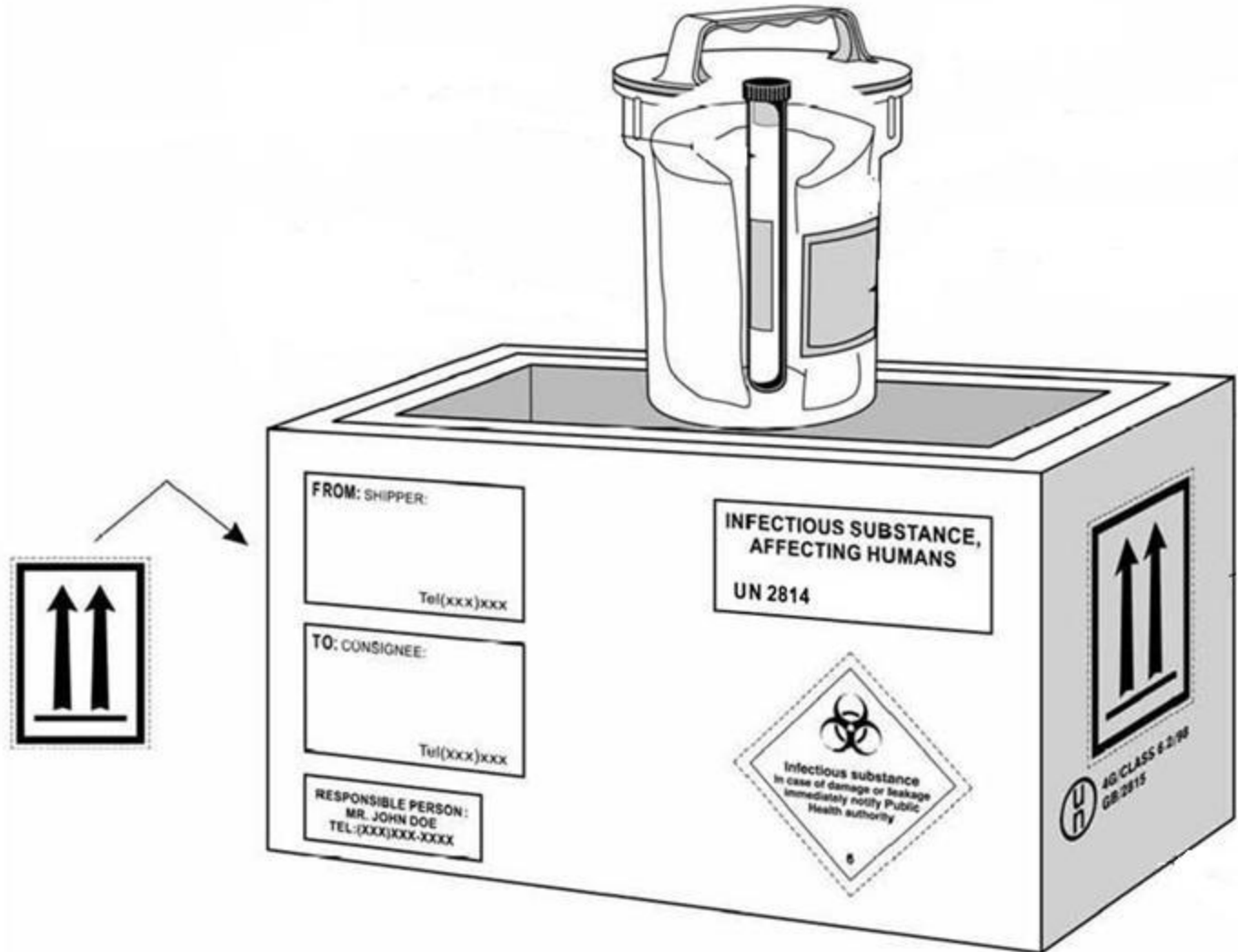
# Category A Markings and Labels



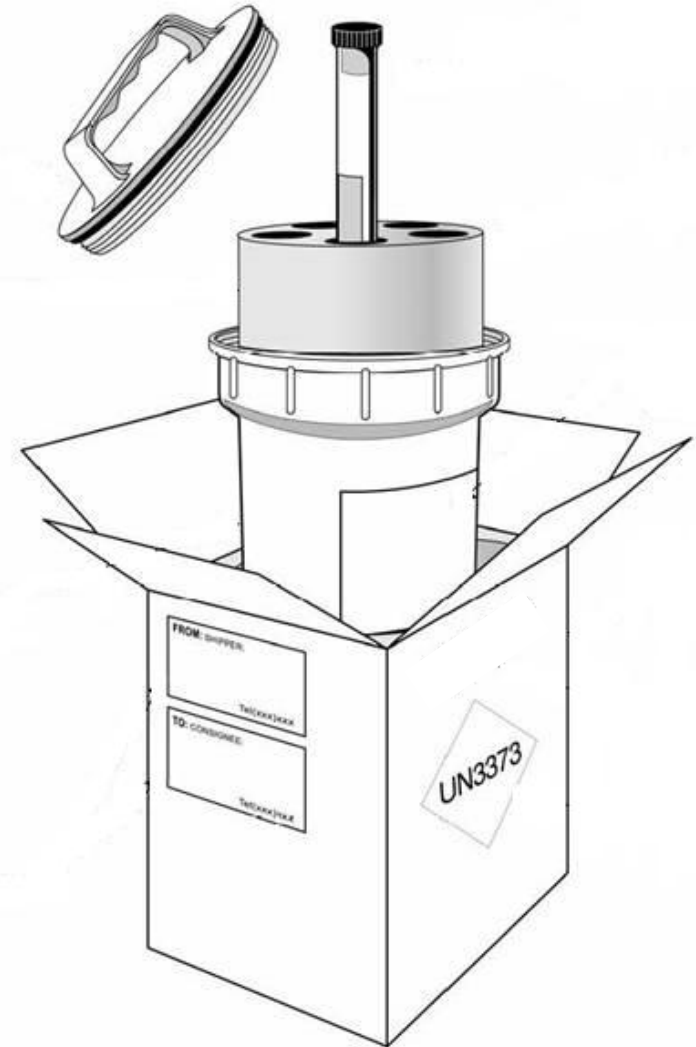


World Health  
Organization

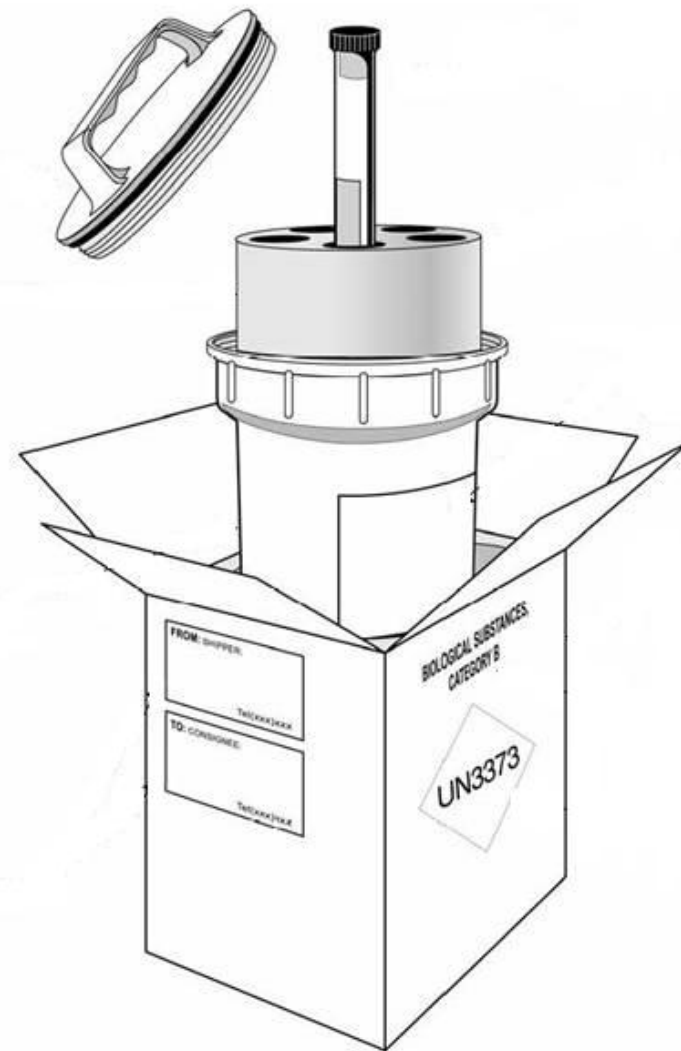
# Category A Markings and Labels



# Category B Markings and Labels



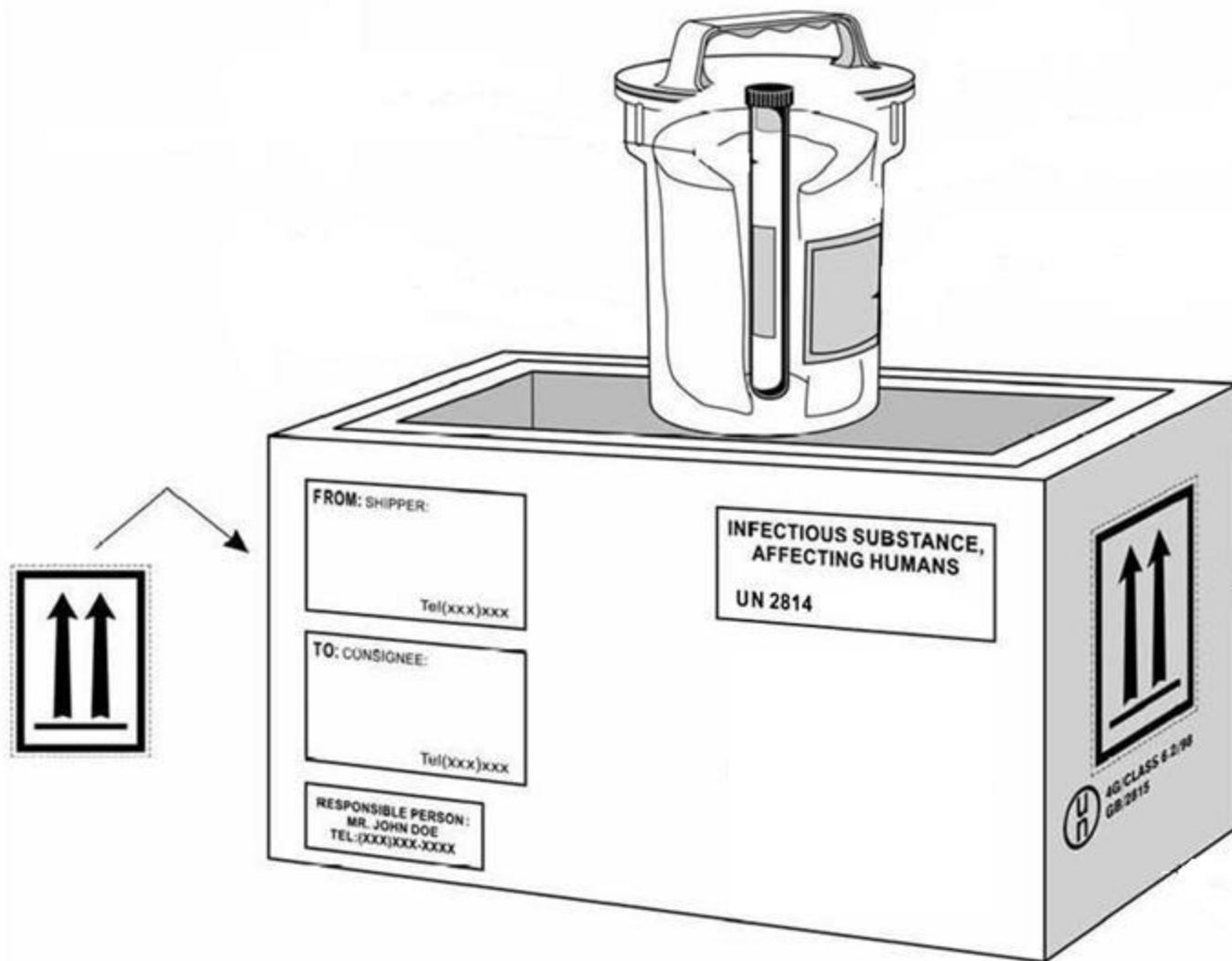
# Category B Markings and Labels





World Health  
Organization

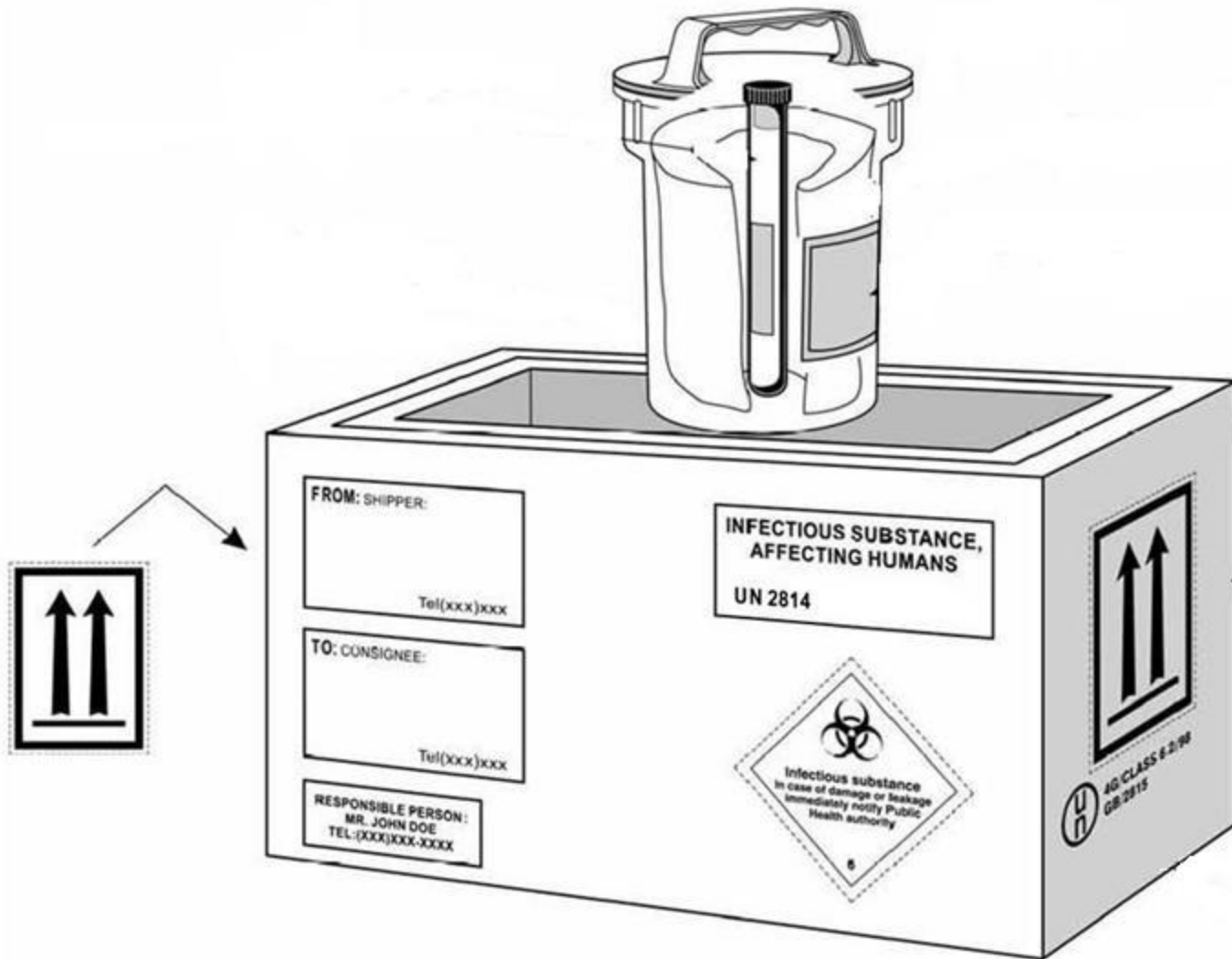
## Category A Markings and Labels



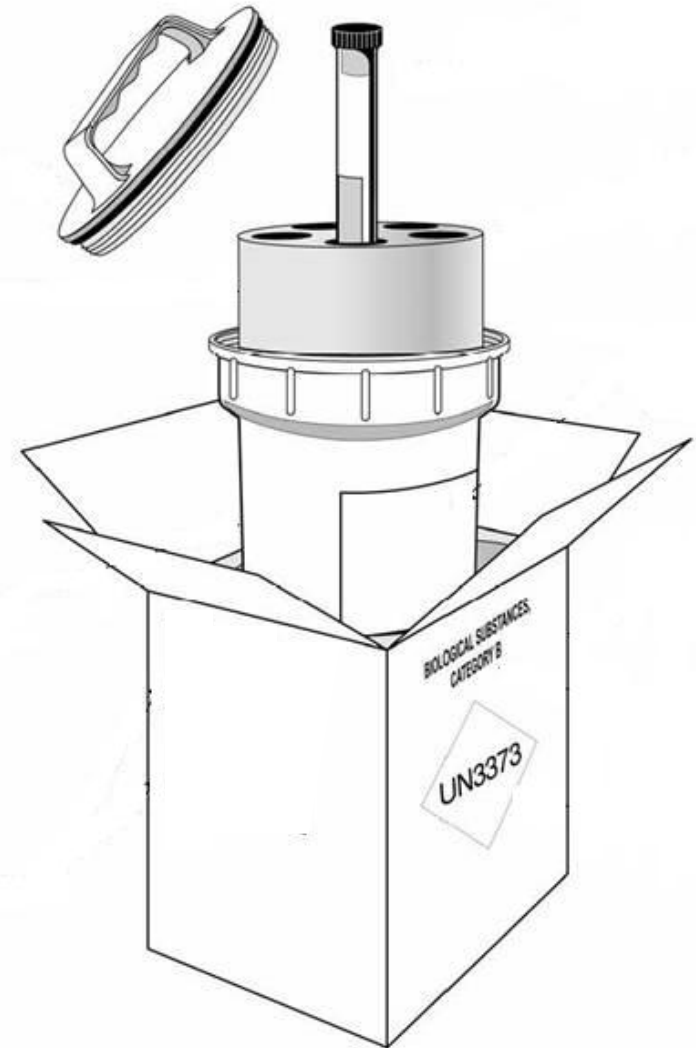


World Health Organization

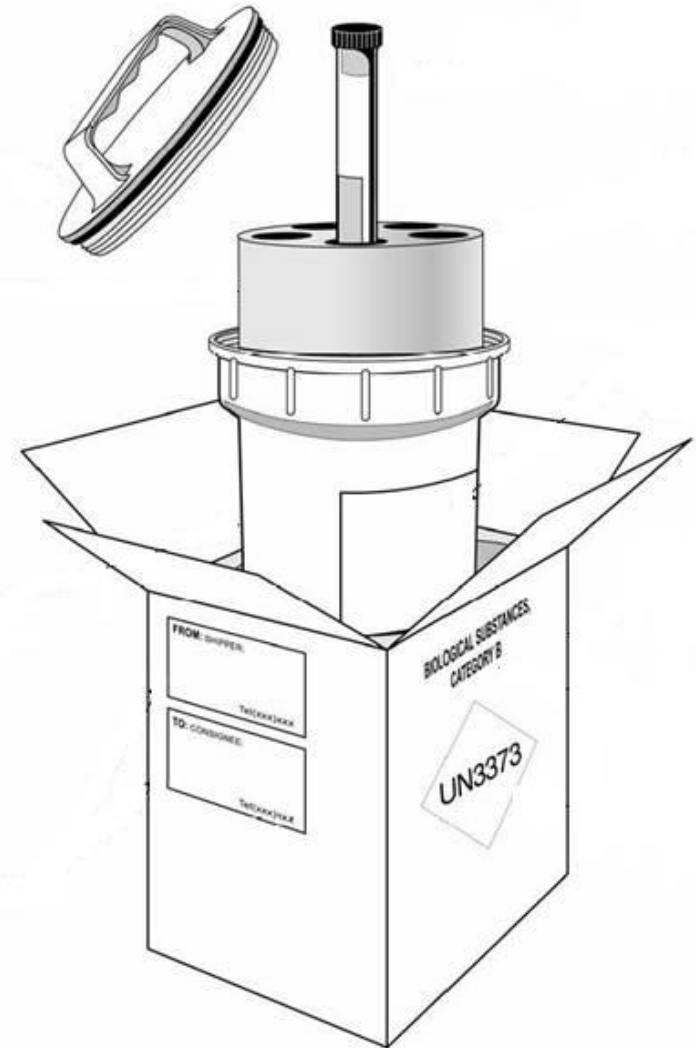
# Category A Markings and Labels



# Category B Markings and Labels



# Category B Markings and Labels

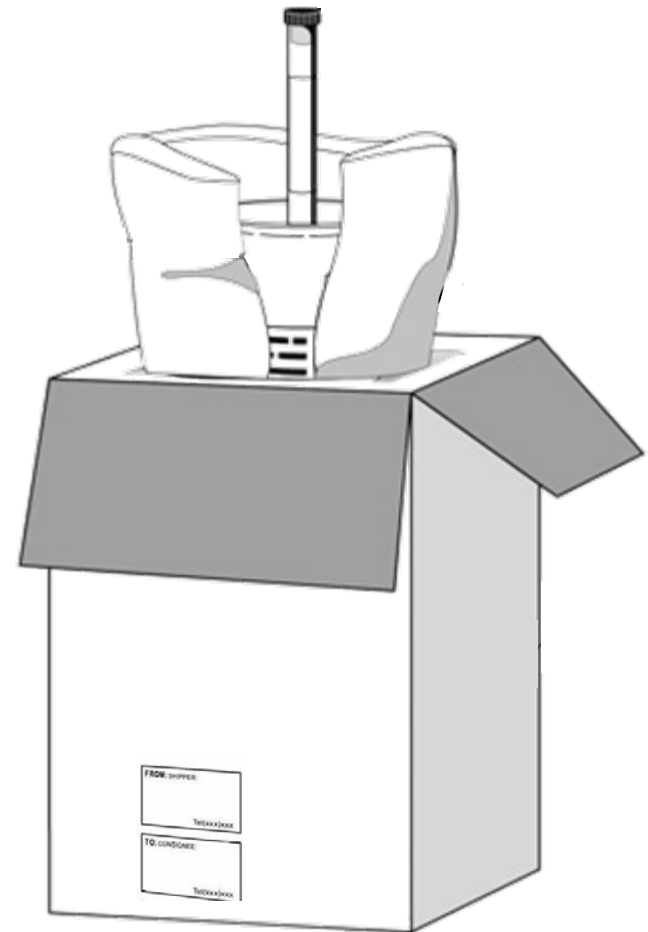


# Exempt Human/Animal Specimens Markings and Labels

---



World Health  
Organization

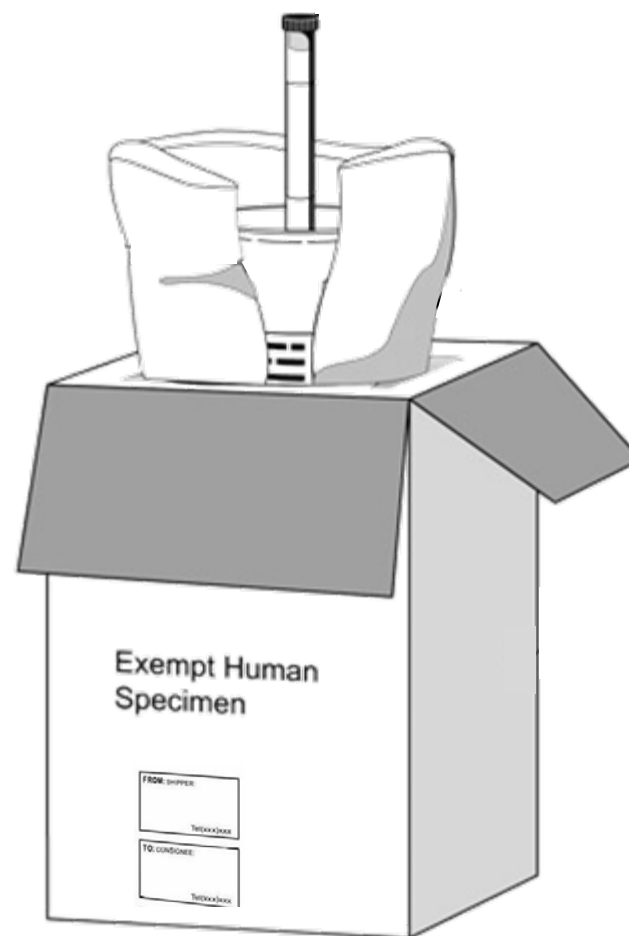


# Exempt Human/Animal Specimens Markings and Labels

---



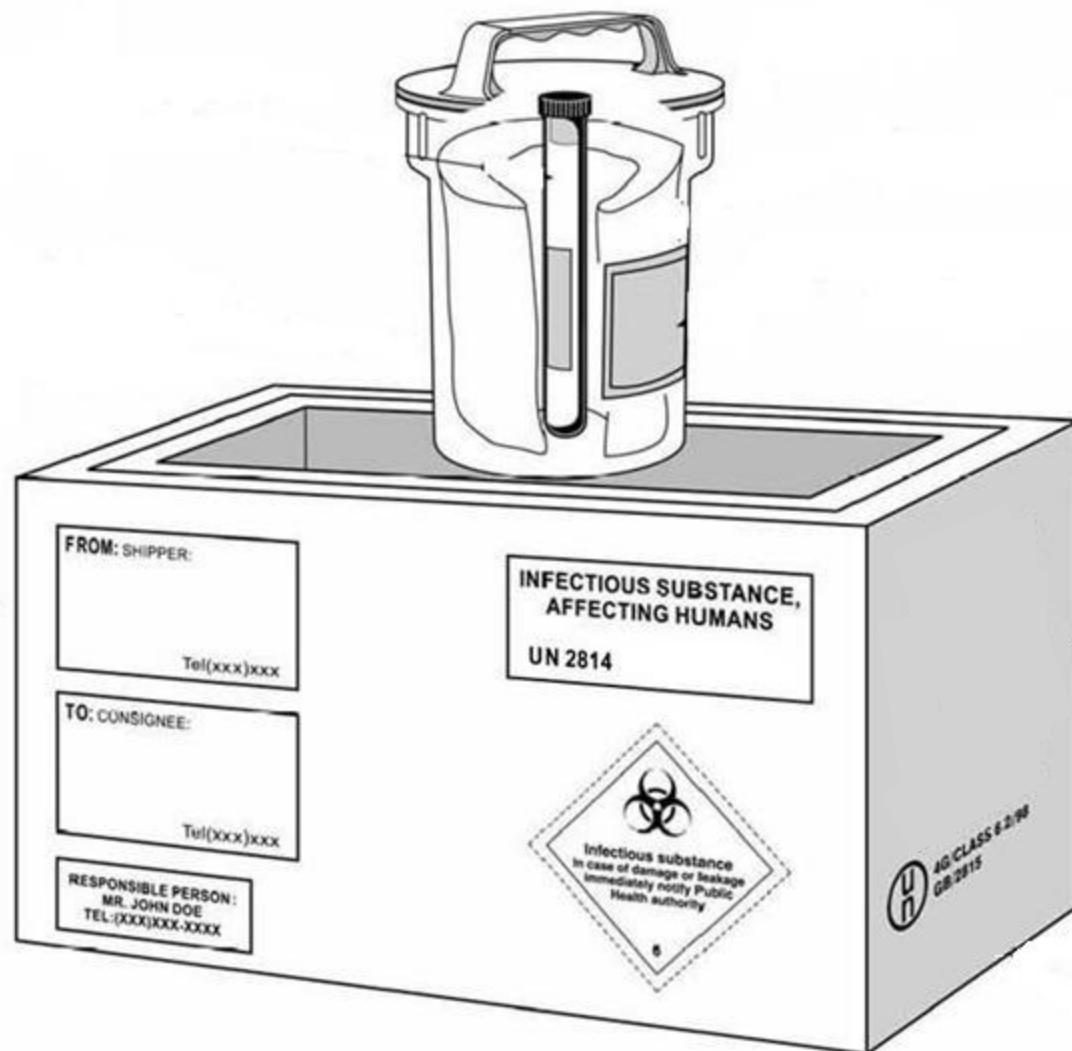
World Health  
Organization





World Health  
Organization

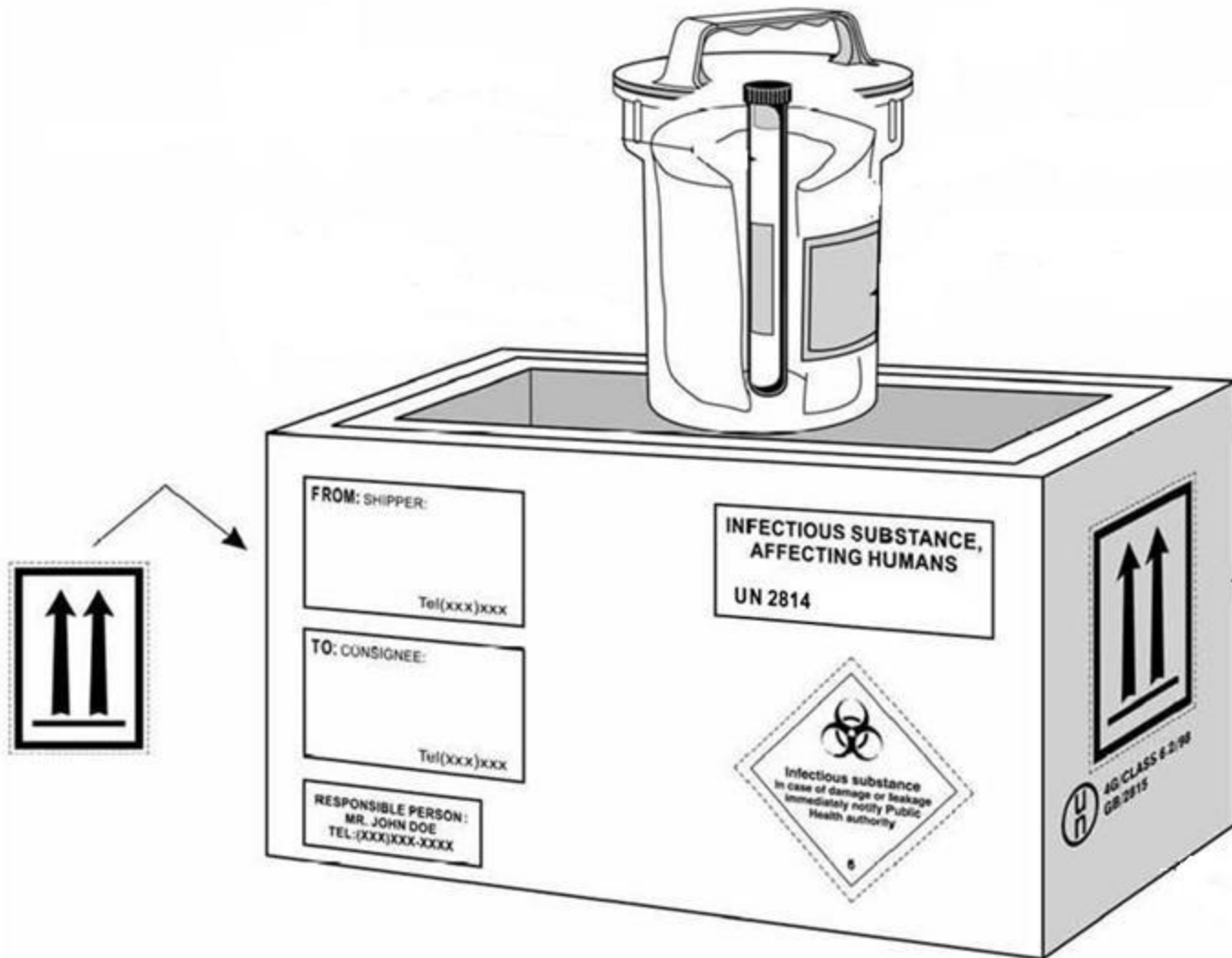
# Category A Markings and Labels (>50 ml)





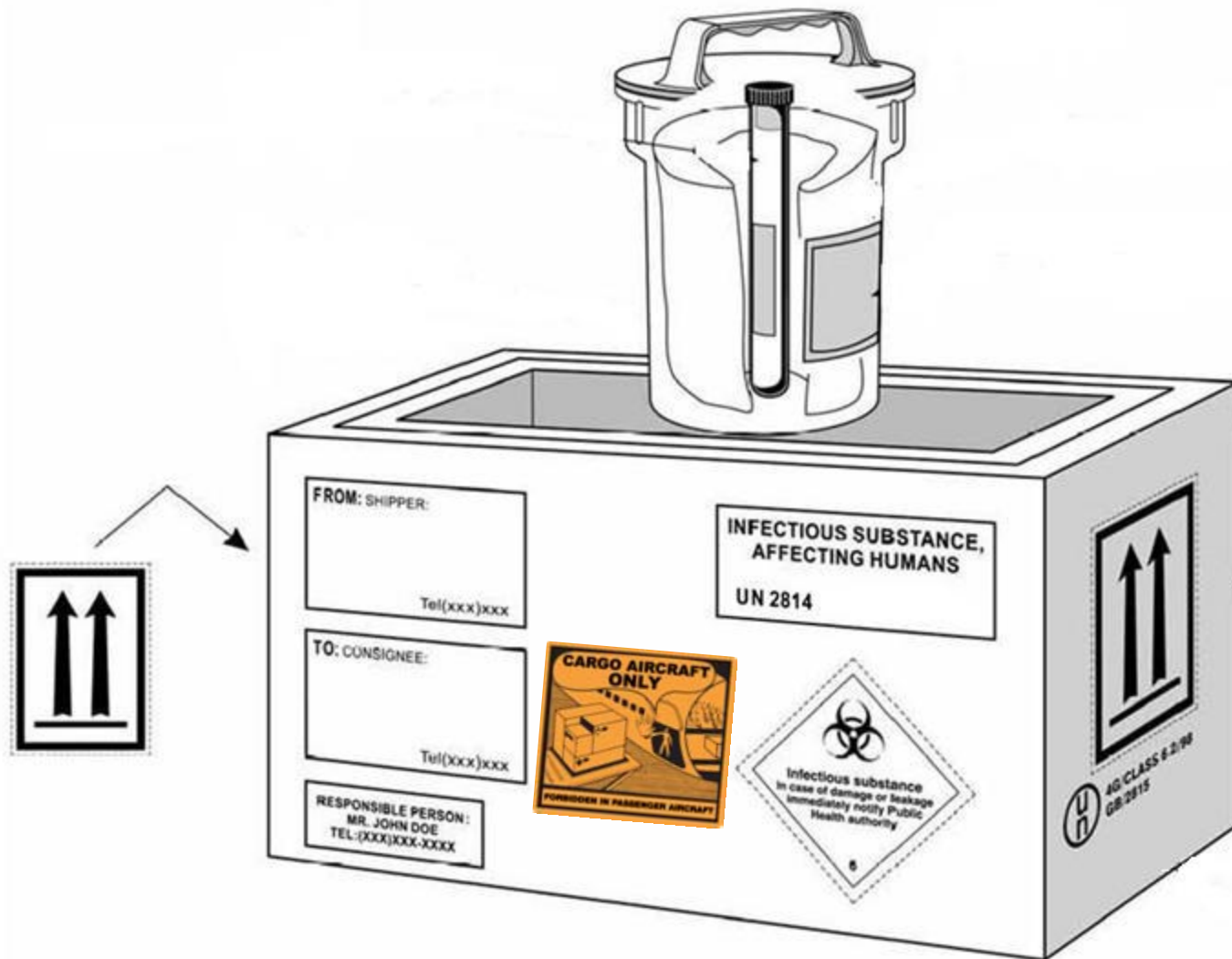
World Health Organization

# Category A Markings and Labels (>50 ml)





# Category A Markings and Labels (>50 ml) for air transport

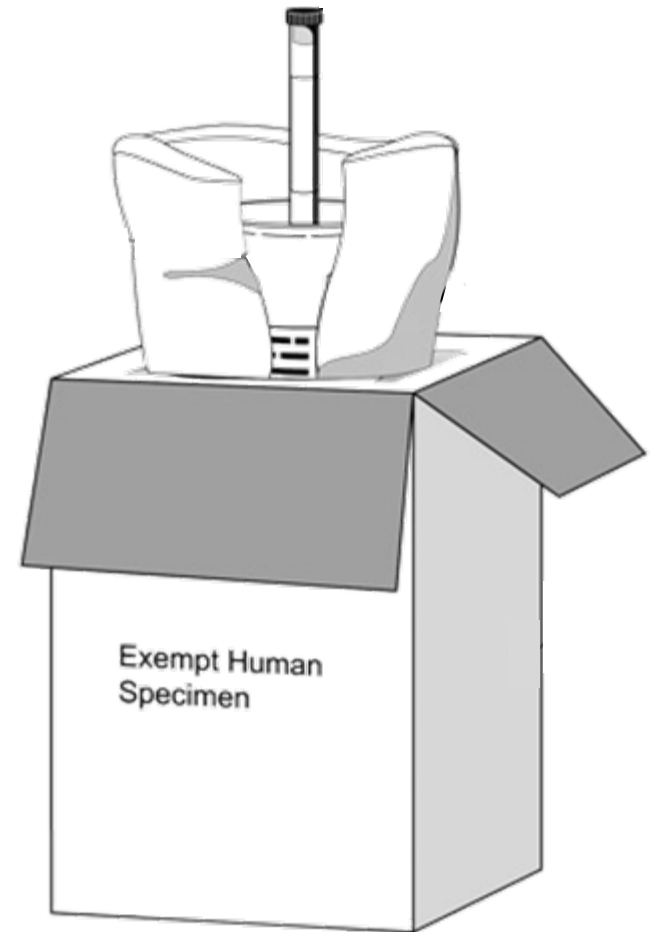


# Exempt Human/Animal Specimens Markings and Labels

---



World Health  
Organization



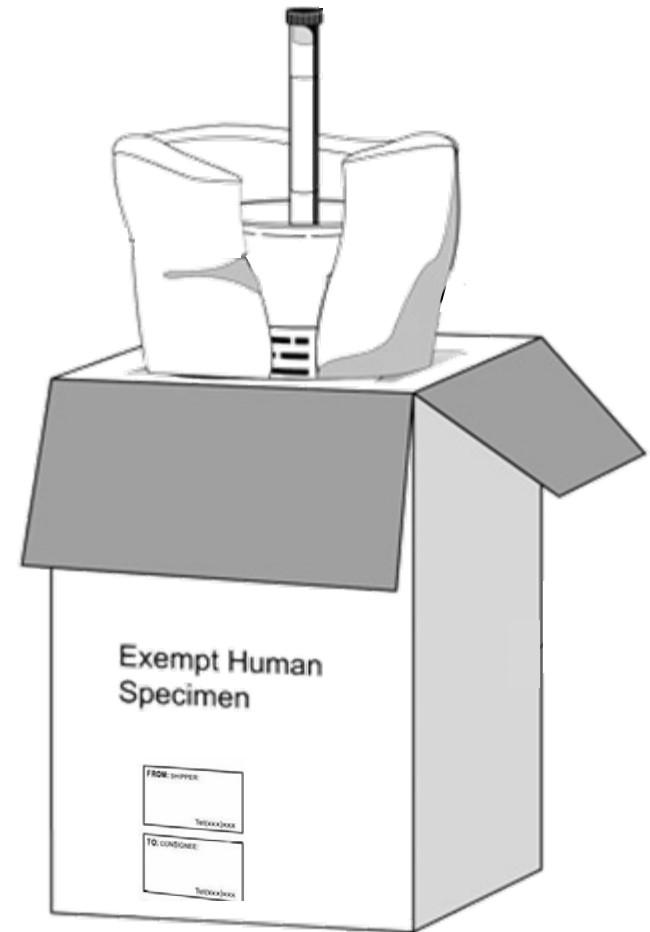
Exempt Human  
Specimen

# Exempt Human/Animal Specimens Markings and Labels

---



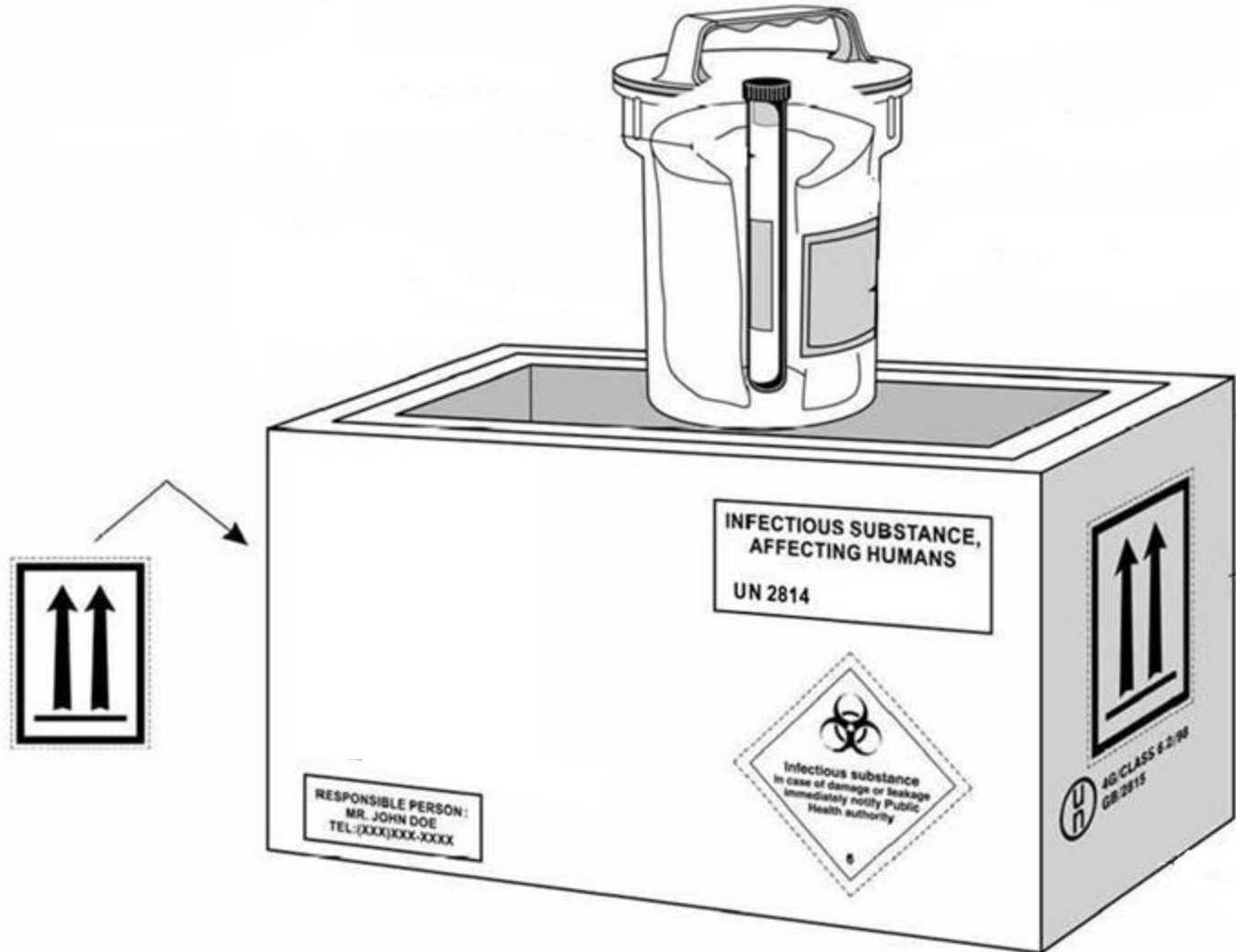
World Health  
Organization





World Health  
Organization

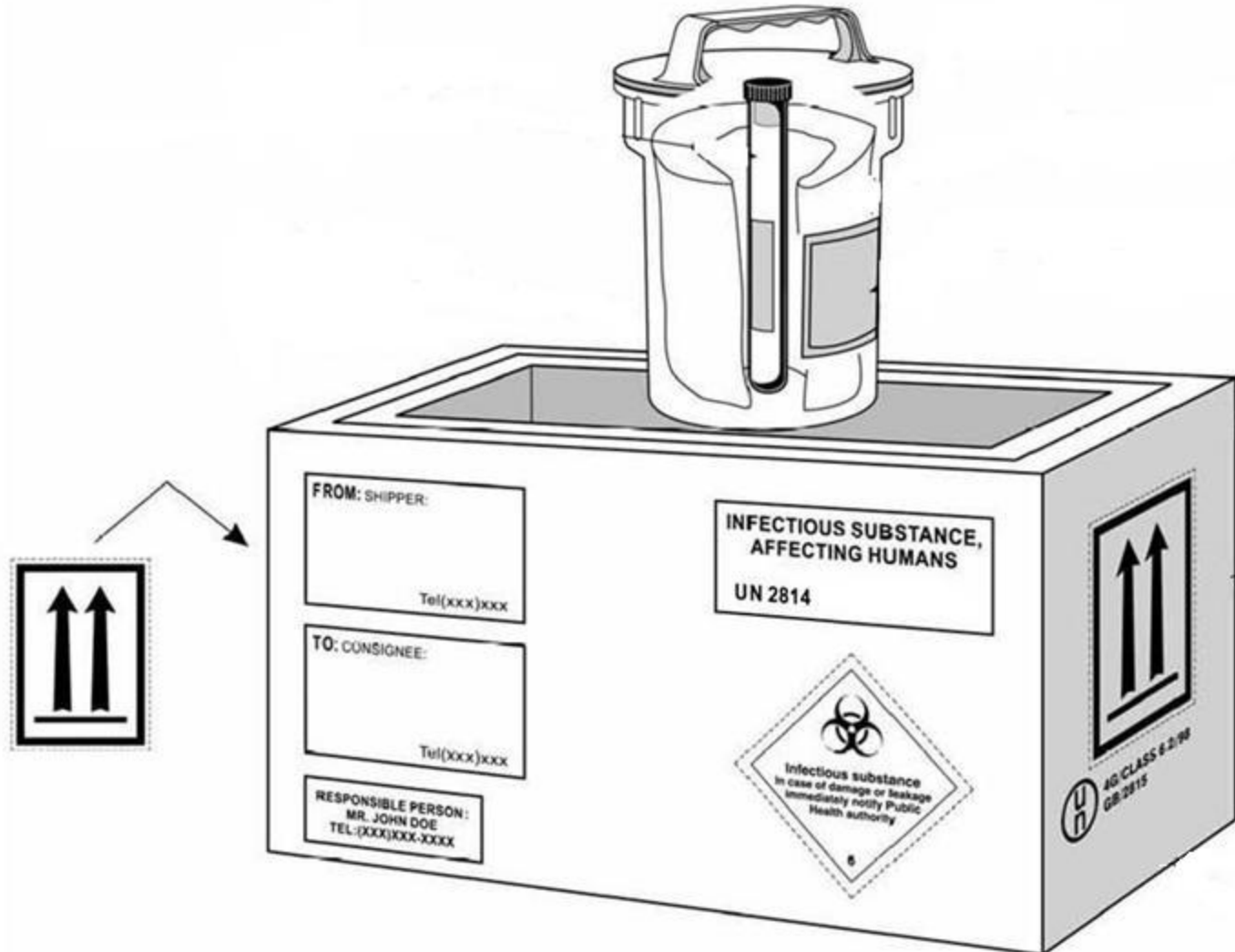
# Category A Markings and Labels





World Health  
Organization

# Category A Markings and Labels



## Markings and Labels for PI620

Please list all markings and labels required for this package. Once all the labels and markings have been identified, insert the number where the marking or label would go on the package.

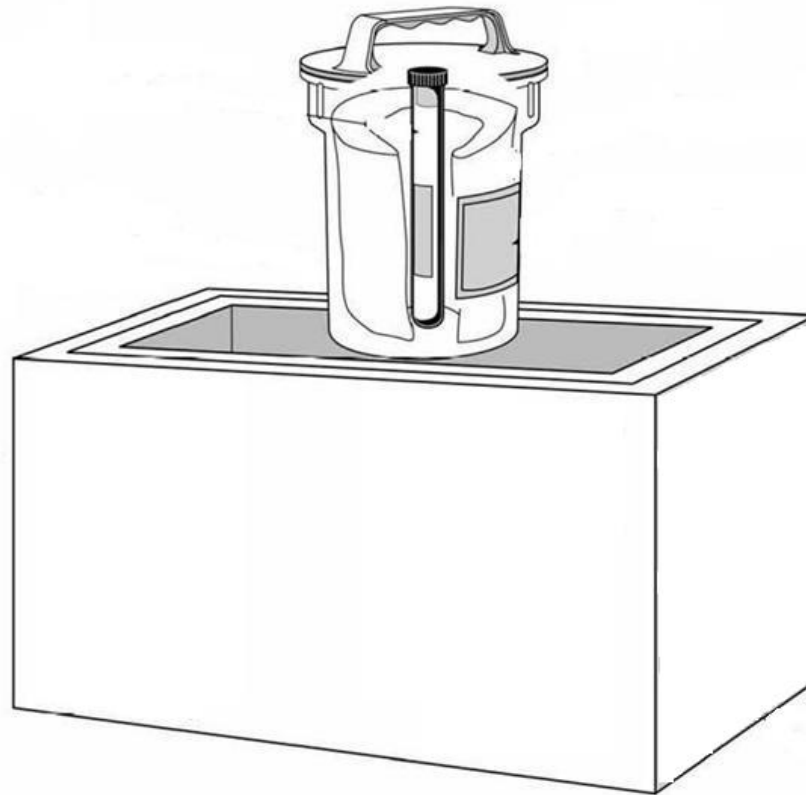
Markings	
1	
2	
3	
4	
5	
6	
Labels	
7	
8	
9	



World Health  
Organization

# Category A Markings and Labels

---



## Markings and Labels for PI650

Please list all markings and labels required for this package. Once all the labels and markings have been identified, insert the number where the marking or label would go on the package.

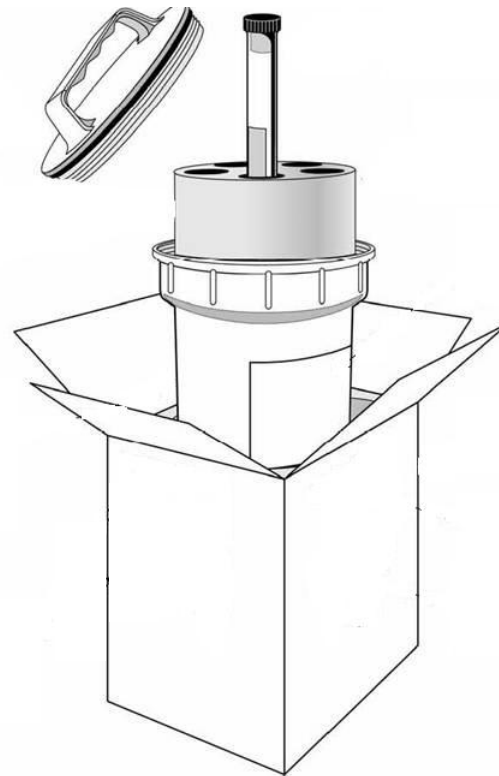
Markings	
1	
2	
3	
4	
Labels	
-	

# Category B Markings and Labels

---



World Health  
Organization



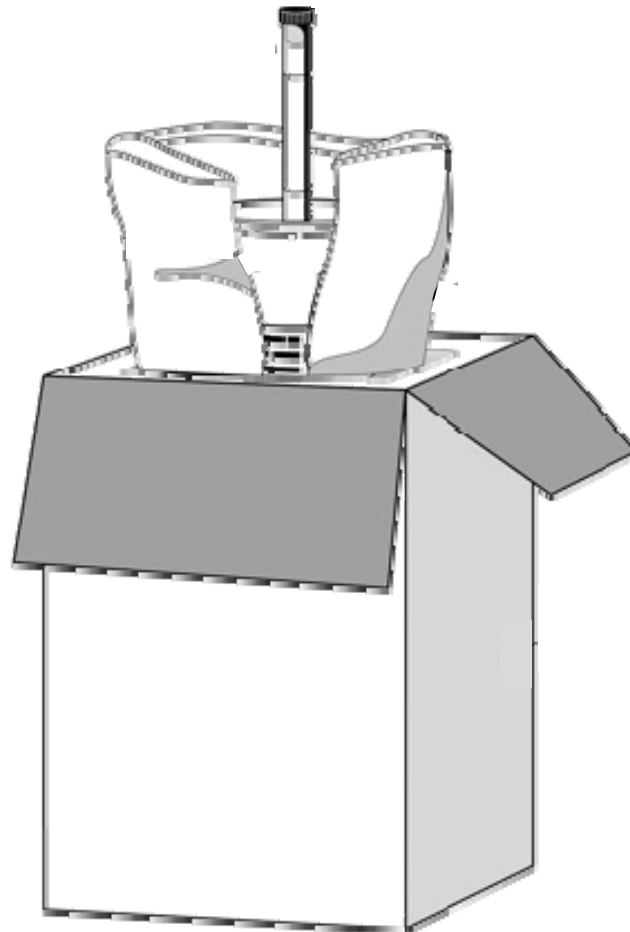
# Markings and Labels for Exempt Human/Animal Specimens

Please list all markings and labels required for this package. Once all the labels and markings have been identified, insert the number where the marking or label would go on the package.

Markings	
1	
2	
3	
Labels	
-	

# Exempt Human/Animal Specimens Markings and Labels

---



World Health  
Organization



**World Health  
Organization**

Questions and comments