



World Health
Organization



Module I
Terms Used for Shipping
Infectious Substances

August 2011



World Health
Organization

Overview

- ☣ Dangerous goods
- ☣ Infectious substances
- ☣ Cultures and patient specimens
- ☣ Packaging
- ☣ Labels
- ☣ Markings
- ☣ Exercise I: Differences between PI620 and PI650



**World Health
Organization**

What are dangerous goods?

Dangerous Goods

- ☠ Dangerous goods pose a risk during transport
- ☠ There are nine classes of dangerous goods
- ☠ Three are important to shippers of infectious substances
 - ☠ Class 3: Flammable liquids
 - ☠ **Class 6: Toxic and infectious substances**
 - ☠ Class 9: Miscellaneous dangerous goods



World Health
Organization





**World Health
Organization**

What are infectious substances?

Infectious Substances (Class 6.2)

☠ Under the dangerous goods classification – class 6.2

☠ Class 6.2 addresses:

1. Infectious substances (Category A)
2. Biological substances (Category B)
3. Biological products
4. Genetically modified microorganisms and organisms
5. Medical and clinical waste
6. Infected live animals
7. Exempt human/animal patient specimens
8. Other exemptions



World Health
Organization

Category A – Infectious Substances

An infectious substance which is transported in a form that, when exposure to it occurs, is capable of causing permanent disability, life-threatening or fatal disease in otherwise healthy humans or animals.



World Health
Organization



Category B – Biological Substances

An infectious substance which does not meet the criteria for inclusion in Category A and has not been determined by a medical professional to have a minimal likelihood that pathogens are present.



World Health
Organization





**World Health
Organization**

What is the difference between cultures
and patient specimens?

Cultures and Patient Specimens

- ☣ Cultures are incubated samples (with purpose of multiplying pathogens)
- ☣ Patient specimens are collected directly from humans/animals
- ☣ These differences are important for the classification of infectious substances
- ☣ This classification will affect the choice of packaging



World Health
Organization





**World Health
Organization**

What are some terms you have
heard related to packaging of
infectious substances?

Packaging Terms

- ☒ Triple packaging
- ☒ Primary, secondary and outer containers
- ☒ Packing Instruction 620 (PI620)
- ☒ Packing Instruction 650 (PI650)
- ☒ UN approved packaging
- ☒ Overpacks

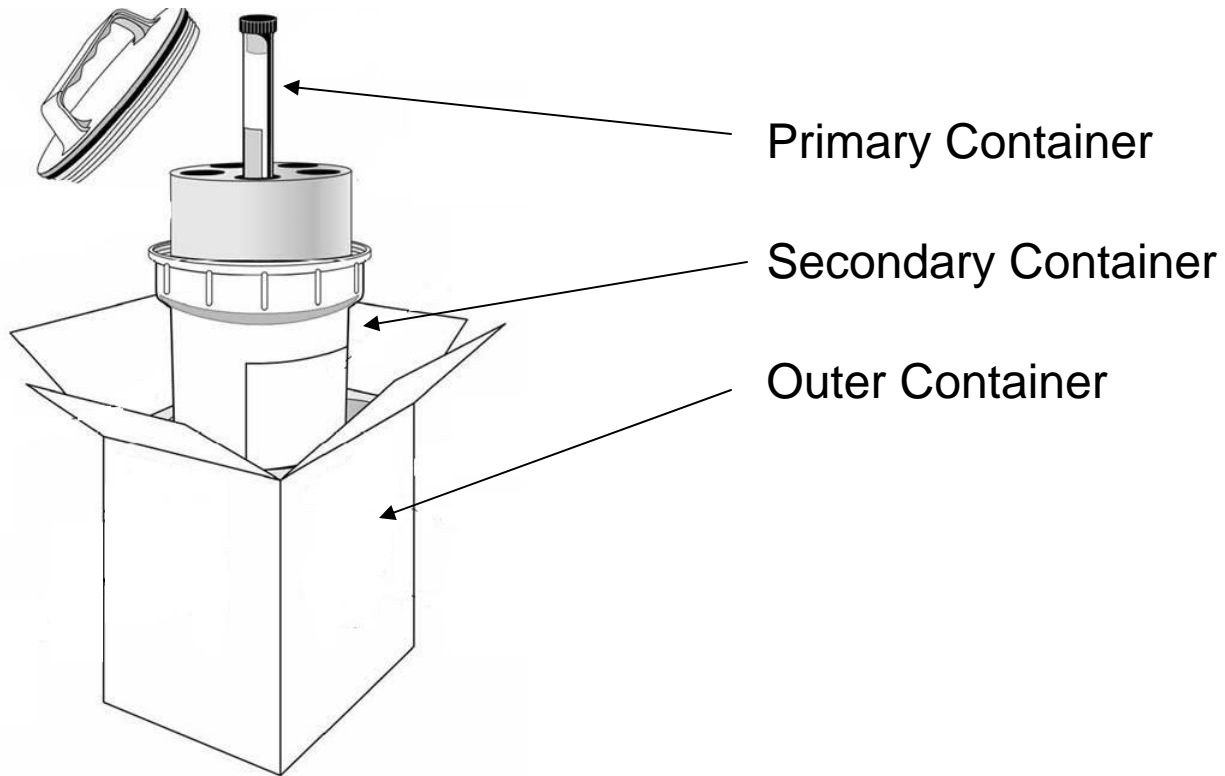


World Health
Organization



World Health
Organization

Triple Packaging (primary, secondary, and outer containers)



Primary Container

Secondary Container

Outer Container

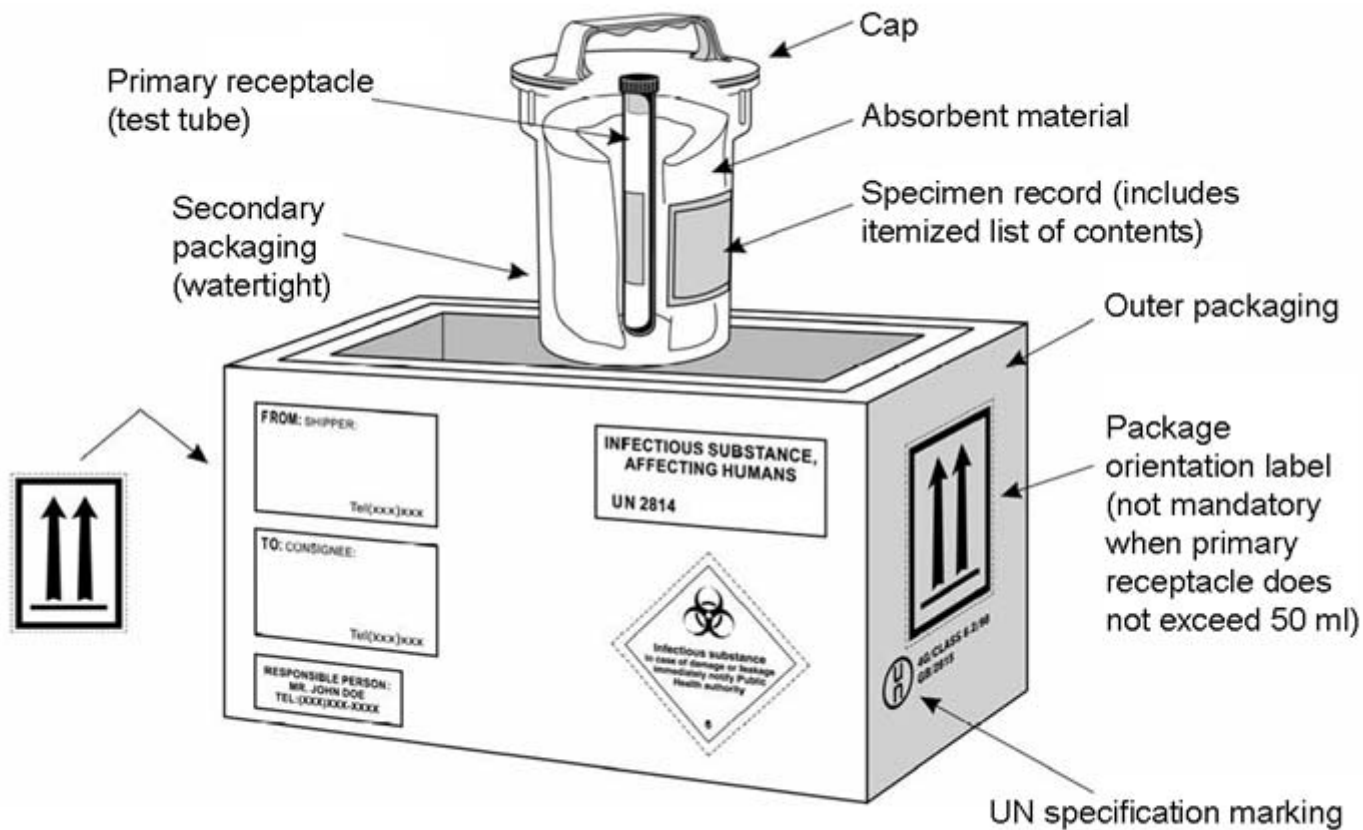




World Health Organization

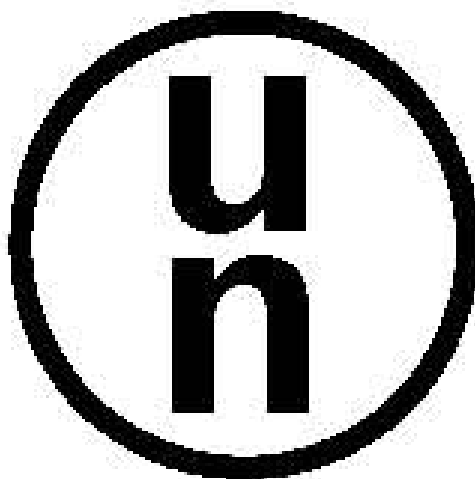
Packing Instruction 620 (PI620)

This packaging is used for Category A infectious substances



UN Specification Marking

This symbol means the packaging has passed a series of tests.
UN approved packaging is required for PI620.



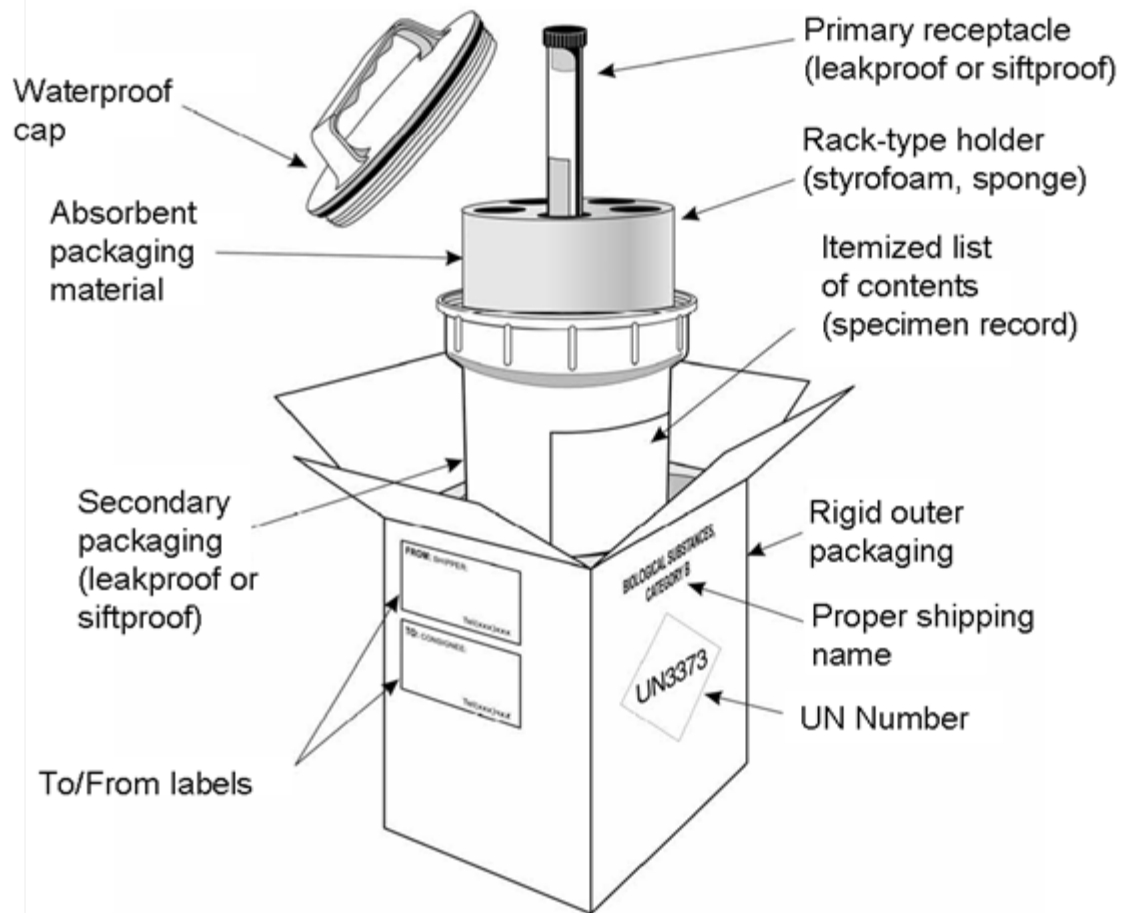
4G/CLASS 6.2/05
GB/2470



World Health Organization

Packing Instruction 650 (PI650)

This packaging is used for Category B biological materials





World Health
Organization

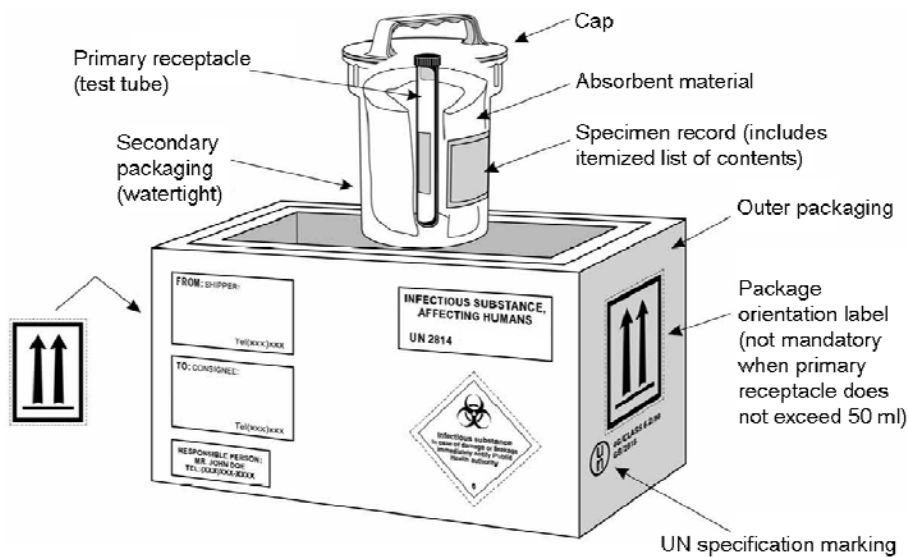
Exercise I

Differences between PI620 and PI650



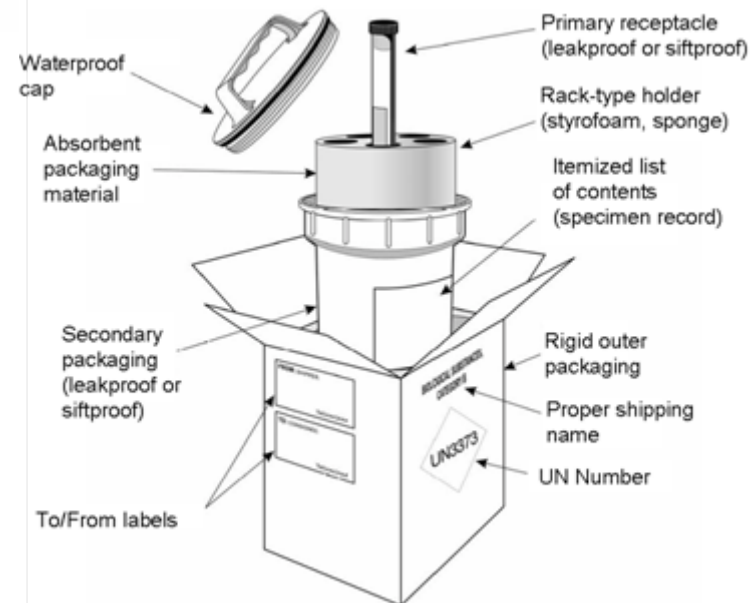
World Health Organization

Exercise I: Differences between PI620 and PI650



PI620
Category A

PI650
Category B



Exercise I: Differences between PI620 and PI650

Please identify three features found in PI620 and in PI650. Then compare the two packages and identify three differences between the two packages.

PI620	PI650	Differences





**World Health
Organization**

Questions and comments